

87500770 TRIDONIC LC 60W 1400MA FIXC SC SNC2

PRD-70-10-60



Features & Benefits

- Delivers up to 60W
- Fixed current output of 1400mA
- Short circuit and overload protection
- Integrated thermal management

Key Data

Power	60W
IP Rating	IP20
Dimensions	130 x 43 x 30mm
Warranty	5 Years (Registration Required)

NET LED Lighting

Buckingway Business Park, 300 Anderson Road,
Swavesey, Cambridge, CB24 4UQ

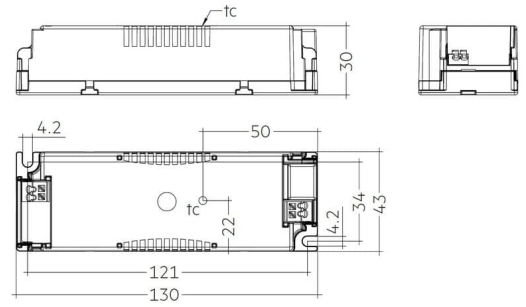
T: 01223 851505 | sales@netled.co.uk | www.netled.co.uk



ORDER BY 6PM
FOR NEXT DAY DELIVERY

Technical Specifications

Input Voltage (AC)	220-240V
Dimmable	No
Operating Temp.	-25°C to +50°C
Lifespan LM80	<50,000 Hours
Manufacturer	Tridonic
Output Current	1400mA
Output Power	35-60W
Power Frequency	50/60Hz
Housing Colour	White
Housing Material	Polycarbonate



Other Options

Description	
PRD-70-10-60	87500770 Tridonic LC 60W 1400mA fixC SC SNC2

NET LED Lighting

Buckingham Business Park, 300 Anderson Road,
Swavesey, Cambridge, CB24 4UQ

T: 01223 851505 | sales@netled.co.uk | www.netled.co.uk



ORDER BY 6PM
FOR NEXT DAY DELIVERY