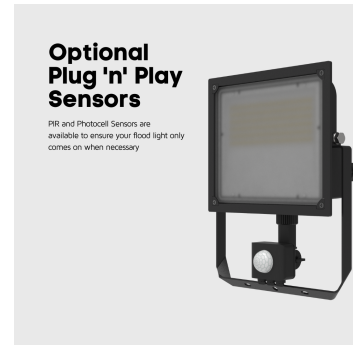
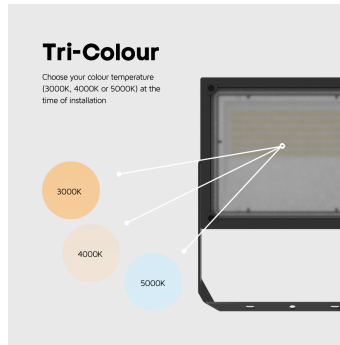


KEYSTON TRI-COLOUR FLOOD LIGHT 70W/100W

NET-70-04-05



Features & Benefits

- Choose between 70W or 100W at the time of installation
- Choose your colour temperature (3000K, 4000K or 5000K) at the time of installation
- IP65 and IK08 rated housing
- Frosted glass diffuser reduces glare and the risk of broken glass
- Optional PIR and Photocell Plug'n'Play Sensors

Key Data

Power	70W/100W
Luminous Flux	8480lm/10670lm
Colour Temperature	3000K/4000K/5000K
IP Rating	IP65
IK Rating	IK08
Dimensions	302.6 x 248 x 50.5mm
Warranty	5 Years (Registration Required)

Compatible Accessories

NET-70-04-07	PIR Sensor for Keyston Flood Lights
NET-70-04-09	Photocell Sensor for Keyston Flood Lights

NET LED Lighting

Buckingham Business Park, 300 Anderson Road,
 Swavesey, Cambridge, CB24 4UQ

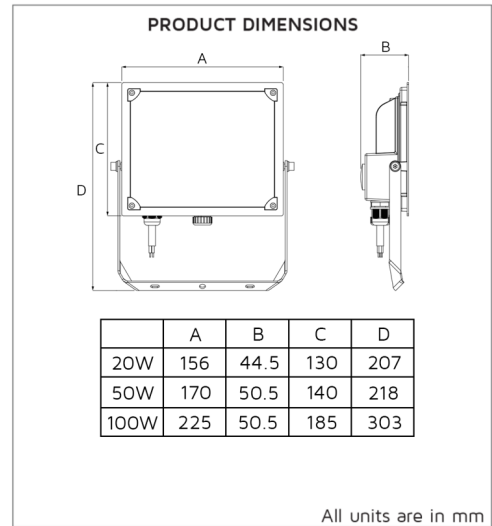
T: 01223 851505 | sales@netled.co.uk | www.netled.co.uk



ORDER BY 6PM
 FOR NEXT DAY DELIVERY

Technical Specifications

Input Voltage (AC)	220-240V
Power Factor	>0.9
Luminaire Efficacy	115lm/W
LED Manufacturer	Seoul
LED Type	SMD 2835
No. of LEDs	216
Driver Manufacturer	Hontek
Total Circuit Power (W)	70W/100W
Electrical Class	1
Colour Rendering	>80Ra
Lamp Viewing Angle	100°
Dimmable	No
Operating Temp.	-15°C to +50°C
Lifespan LM80	40,000 Hours
UGR Rating	27
Weight	1.41Kg
Manufacturer	Hontek Intelligent Technology Co., Ltd.
Fire Rating	V2
Power Frequency	50/60Hz
Housing Colour	Black
Housing Material	Aluminium Alloy
Diffuser Material	Frosted Glass



Other Options

Description	
NET-70-04-01	Keyston Tri-Colour Flood Light 10W/20W
NET-70-04-03	Keyston Tri-Colour Flood Light 30W/50W
NET-70-04-05	Keyston Tri-Colour Flood Light 70W/100W

NET LED Lighting

Buckingham Business Park, 300 Anderson Road,
Swavesey, Cambridge, CB24 4UQ



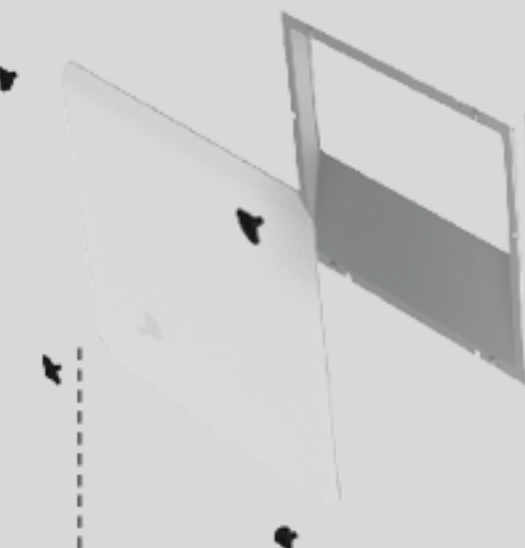
ORDER BY 6PM
FOR NEXT DAY DELIVERY

SELECTABLE POWER SETTING

Choose between 10W/20W, 30W/50W or 75W/100W at the time of installation

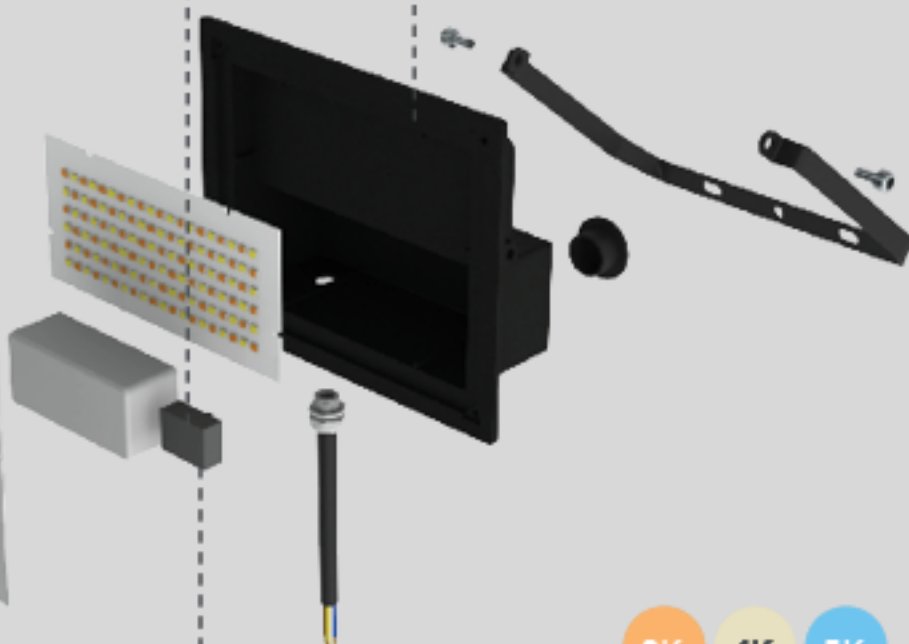
IP65 AND IK08 RATED HOUSING

Protected from moisture, dust and impact



FROSTED GLASS DIFFUSER

Reduces glare and the risk of broken glass contaminating food products



SELECTABLE COLOUR TEMPERATURE

Choose your colour temperature 3000K, 4000K or 5000K



OPTIONAL PLUG-IN PIR AND PHOTOCELL SENSORS

Reduce energy costs and ensure the fitting comes on only when required