

**KINGSTON DOWNLIGHT UGR<19 4000K 6" 21W DIMMABLE DALI EMERGENCY**

NET-60-05-10



**Features & Benefits**

- DALI Addressable Emergency Kit
- Tridonic one4all Dimming - DALI 1 & 2 and switchDIM (Push)
- Low glare diffuser with UGR<19
- Ø145-158mm cut out size
- Single colour temperature 4000K

**Key Data**

<b>Power</b>	21W
<b>Luminous Flux</b>	2210lm
<b>Colour Temperature</b>	4000K
<b>IP Rating</b>	IP20
<b>Dimensions</b>	Ø163 x 86 x 78mm
<b>Warranty</b>	5 Years (Registration Required)

**NET LED Lighting**

Buckingway Business Park, 300 Anderson Road,  
Swavesey, Cambridge, CB24 4UQ

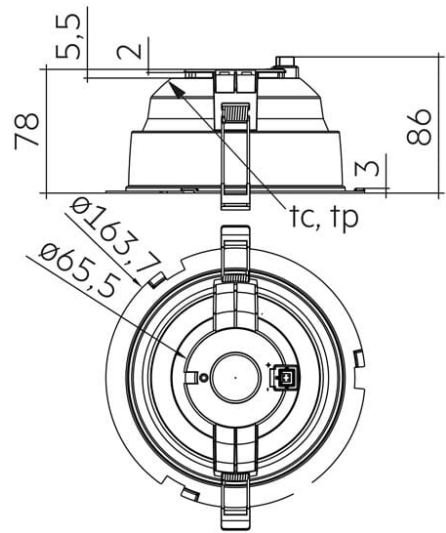
T: 01223 851505 | [sales@netled.co.uk](mailto:sales@netled.co.uk) | [www.netled.co.uk](http://www.netled.co.uk)



**ORDER BY 6PM**  
FOR NEXT DAY DELIVERY

## Technical Specifications

Input Voltage (AC)	220-240V AC
Power Factor	0.95
Luminaire Efficacy	109lm/W
LED Manufacturer	Tridonic
No. of LEDs	40
Driver Manufacturer	Tridonic Premium Series
Driver Output Voltage (DC)	40V
Total Circuit Power (W)	20W
Electrical Class	2
Colour Rendering	>80 CRI
Lamp Viewing Angle	60°
Dimmable	Yes
Flicker-Free	Yes
Operating Temp.	0°C to +40°C
Lifespan LM80	50,000 Hours
UGR Rating	Less than 19
Weight	0.157Kg
Manufacturer	Tridonic
Hours Maintained	3H
Self Test	Optional
Cut-Out Size	ø145-158mm
Housing Colour	White
Housing Material	Aluminium
Battery Pack	LiFePO4 3.2V 2000Ah
Dimming Input Type	DALI Addressable
Emergency Kit	3 Year Warranty
Emergency Operation	>3H
Emergency Pack	DALI Addressable



## Other Options

Description	
NET-60-05-06	Kingston Downlight UGR<19 4000K 6" 21W Standard
NET-60-05-07	Kingston Downlight UGR<19 4000K 6" 21W Emergency/Self Test
NET-60-05-08	Kingston Downlight UGR<19 4000K 6" 21W Dimmable one4all
NET-60-05-09	Kingston Downlight UGR<19 4000K 6" 21W Dimmable Emergency/Self Test
NET-60-05-10	Kingston Downlight UGR<19 4000K 6" 21W Dimmable DALI Emergency

## NET LED Lighting

Buckingham Business Park, 300 Anderson Road,  
Swavesey, Cambridge, CB24 4UQ



**ORDER BY 6PM**  
FOR NEXT DAY DELIVERY

**NEW**

### STAINLESS STEEL RETAINING CLIPS

Quick and simple installation  
with no need for additional tools

### Ø145-210MM CUT-OUT SIZES

Available in 6" and 8",  
these downlights are designed  
to fit existing holes

### MANUAL OR SELF TEST EMERGENCY SELECTABLE

Choose between manual  
emergency or self test emergency  
at the time of installation

*Emergency options only*

### LOW GLARE UGR<19 RATED DIFFUSER

Reduce headaches and  
improve focus

### TRIDONIC DIMMABLE DRIVER

Customise lighting levels and  
reduce electricity consumption

*Dimmable options only*

