

KINGSTON DOWNLIGHT UGR<19 4000K 6" 21W DIMMABLE EMERGENCY/SELF TEST

NET-60-05-09



**3 Hour
Emergency
operation**

The integral Emergency Battery ensures the fitting stays on in the event of an emergency or power failure - can be Self Test Emergency or standard 3H Emergency



**Tridonic Excite
Dimmable driver**

Allows for one4all Dimming - DALI 1 & 2 and switchDIM options



Features & Benefits

- Tridonic one4all Dimming - DALI 1 & 2 and switchDIM (Push)
- Choose between 3H Emergency or Self Test Emergency function
- Low glare diffuser with UGR<19
- Ø145-158mm cut out size
- Single colour temperature 4000K

Key Data

Power	21W
Luminous Flux	2210lm
Colour Temperature	4000K
IP Rating	IP20
Dimensions	Ø163 x 86 x 78mm
Warranty	5 Years (Registration Required)

NET LED Lighting

Buckingway Business Park, 300 Anderson Road,
Swavesey, Cambridge, CB24 4UQ

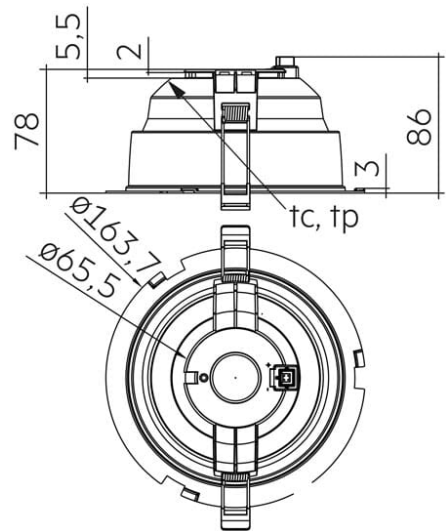
T: 01223 851505 | sales@netled.co.uk | www.netled.co.uk



ORDER BY 6PM
FOR NEXT DAY DELIVERY

Technical Specifications

Input Voltage (AC)	220-240V AC
Power Factor	0.95
Luminaire Efficacy	109lm/W
LED Manufacturer	Tridonic
No. of LEDs	40
Driver Manufacturer	Tridonic Premium Series
Driver Output Voltage (DC)	40V
Total Circuit Power (w)	20W
Electrical Class	2
Colour Rendering	>80 CRI
Lamp Viewing Angle	60°
Dimmable	Yes
Flicker-Free	Yes
Operating Temp.	0°C to +40°C
Lifespan LM80	50,000 Hours
UGR Rating	Less than 19
Weight	0.157Kg
Manufacturer	Tridonic
Hours Maintained	3H
Self Test	Optional
Cut-Out Size	ø145-158mm
Housing Colour	White
Housing Material	Aluminium
Battery Pack	LiFePO4 3.2V 2000Ah
Dimming Input Type	Tridonic one4all Dimming - DALI 1 & 2 and switchDIM (Push)
Emergency Kit	3 Year Warranty
Emergency Operation	>3H
Emergency Pack	Streamer



Other Options

Description	
NET-60-05-06	Kingston Downlight UGR<19 4000K 6" 21W Standard
NET-60-05-07	Kingston Downlight UGR<19 4000K 6" 21W Emergency/Self Test
NET-60-05-08	Kingston Downlight UGR<19 4000K 6" 21W Dimmable one4all
NET-60-05-09	Kingston Downlight UGR<19 4000K 6" 21W Dimmable Emergency/Self Test
NET-60-05-10	Kingston Downlight UGR<19 4000K 6" 21W Dimmable DALI Emergency

NET LED Lighting

Buckingham Business Park, 300 Anderson Road,
Swavesey, Cambridge, CB24 4UQ



ORDER BY 6PM
FOR NEXT DAY DELIVERY

NEW

STAINLESS STEEL RETAINING CLIPS

Quick and simple installation
with no need for additional tools

Ø145-210MM CUT-OUT SIZES

Available in 6" and 8",
these downlights are designed
to fit existing holes

MANUAL OR SELF TEST EMERGENCY SELECTABLE

Choose between manual
emergency or self test emergency
at the time of installation

Emergency options only

LOW GLARE UGR<19 RATED DIFFUSER

Reduce headaches and
improve focus

TRIDONIC DIMMABLE DRIVER

Customise lighting levels and
reduce electricity consumption

Dimmable options only

