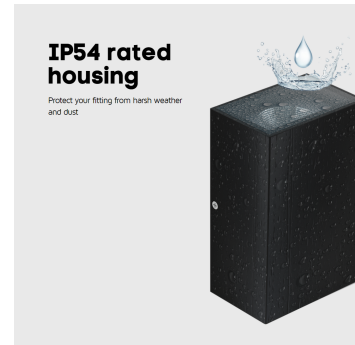
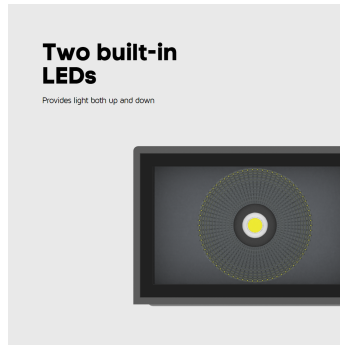


HATLEY UP/DOWN WALL LIGHT 4000K IP54 10W

NET-51-11-54



Features & Benefits

- Built-in LEDs
- Single colour temperature 4000K
- Provides light both up and down
- IP54 rated housing

Key Data

Power	10W (2 x 5W)
Luminous Flux	660lm
Colour Temperature	4000K
IP Rating	IP54
Dimensions	160 x 100 x 65mm
Warranty	3 Years

Compatible Accessories

NET-40-07-02	LG GU10 LED Lamp 4.3W 2700K
NET-51-04-59	Photocell Kit for Outdoor Lighting

NET LED Lighting

Buckingway Business Park, 300 Anderson Road,
Swavesey, Cambridge, CB24 4UQ

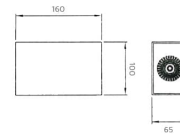
T: 01223 851505 | sales@netled.co.uk | www.netled.co.uk



ORDER BY 6PM
FOR NEXT DAY DELIVERY

Technical Specifications

Input Voltage (AC)	100-240V
Power Factor	>0.5
Luminaire Efficacy	66lm/W
LED Manufacturer	Bridgelux
LED Type	COB
No. of LEDs	2
Driver Manufacturer	Sealite Co. Ltd.
Driver Output Voltage (DC)	24V
Total Circuit Power (W)	10W
Electrical Class	1
Colour Rendering	80 CRI
Lamp Viewing Angle	90°
Dimmable	No
Operating Temp.	-5°C to +40°C
Lifespan LM80	>30,000 Hours
UGR Rating	22
Weight	1Kg
Manufacturer	Sealite Co. Ltd
Housing Colour	Dark grey
Housing Material	Aluminium
Diffuser Material	Polycarbonate



Other Options

Description	
NET-51-11-54	Hatley Up/Down Wall Light 4000K IP54 10W

NET LED Lighting

Buckingham Business Park, 300 Anderson Road,
Swavesey, Cambridge, CB24 4UQ



ORDER BY 6PM
FOR NEXT DAY DELIVERY

T: 01223 851505 | sales@netled.co.uk | www.netled.co.uk



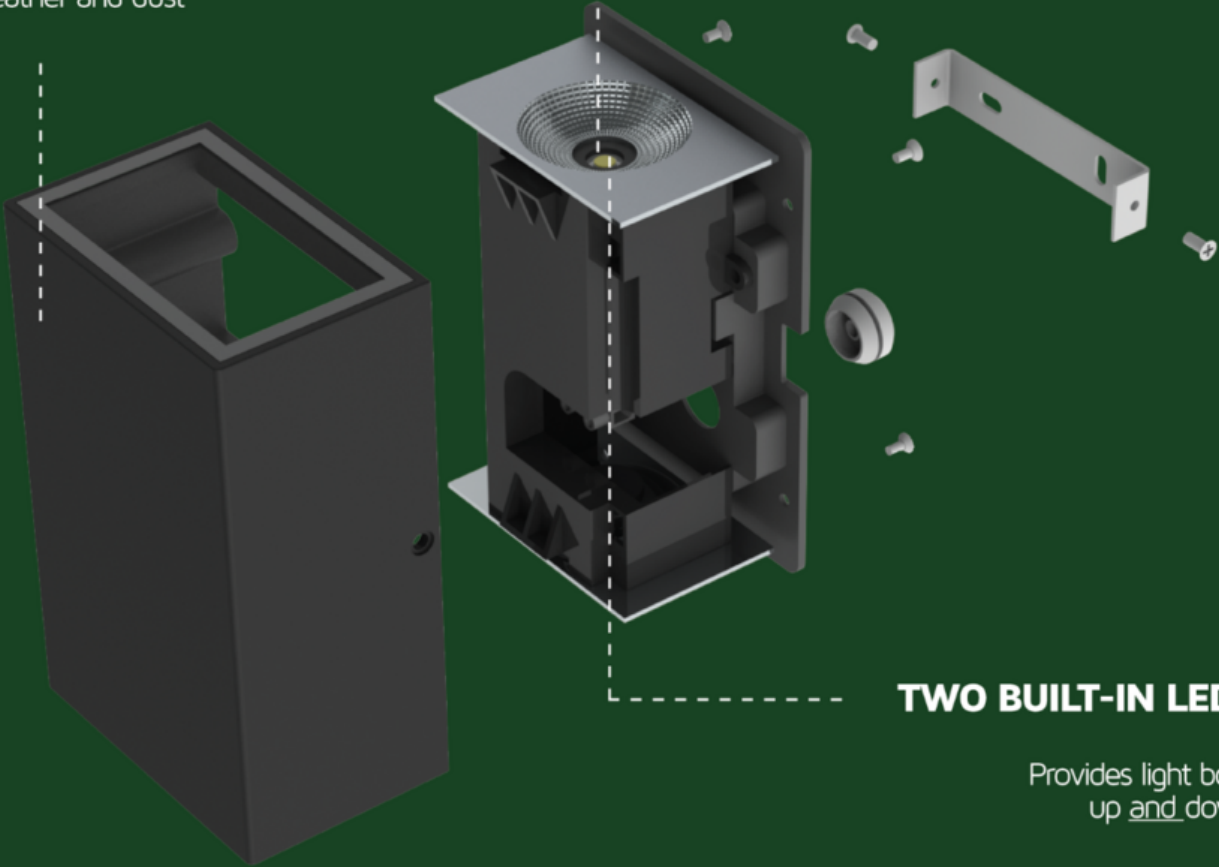
4K

4000K COLOUR TEMPERATURE

Create a cool white light perfect for exterior domestic applications

IK54 RATED HOUSING

Protect your fitting from harsh weather and dust



TWO BUILT-IN LEDS

Provides light both up and down

