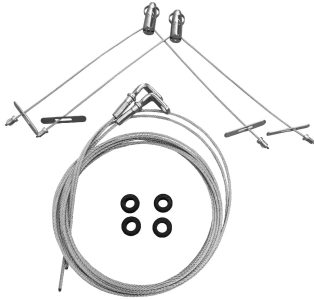


CAMBRIDGE/TRINITY SUSPENSION KIT

NET-51-11-02



NET LED Lighting

Buckingway Business Park, 300 Anderson Road,
Swavesey, Cambridge, CB24 4UQ

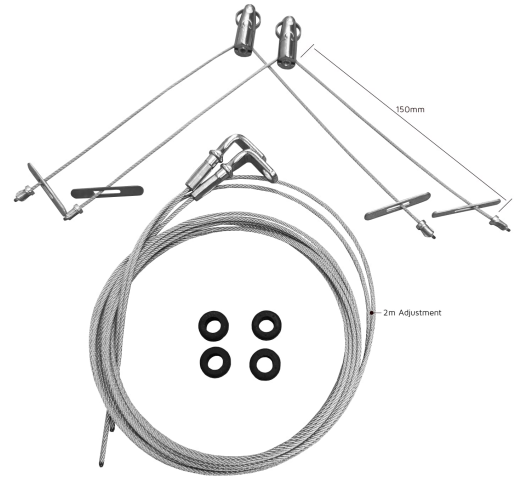
T: 01223 851505 | sales@netled.co.uk | www.netled.co.uk



ORDER BY 6PM
FOR NEXT DAY DELIVERY

Technical Specifications

Manufacturer Sealite Co. Ltd.
Suspension Point 4



Other Options

Description	
NET-51-11-02	Cambridge/Trinity Suspension Kit

NET LED Lighting

Buckingway Business Park, 300 Anderson Road,
Swavesey, Cambridge, CB24 4UQ

T: 01223 851505 | sales@netled.co.uk | www.netled.co.uk



ORDER BY 6PM
FOR NEXT DAY DELIVERY