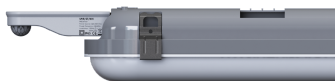
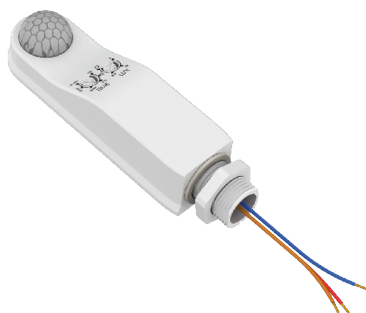


PIR SENSOR (EXTERNAL) FOR BATTENS AND NCFS

NET-51-11-01



Key Data

Dimensions

136 x 33 x 27mm

Warranty

5 Years (Registration Required)

NET LED Lighting

Buckingway Business Park, 300 Anderson Road,
Swavesey, Cambridge, CB24 4UQ

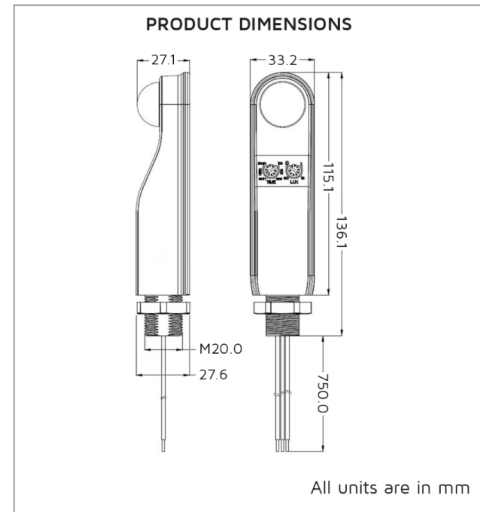
T: 01223 851505 | sales@netled.co.uk | www.netled.co.uk



ORDER BY 6PM
FOR NEXT DAY DELIVERY

Technical Specifications

Input Voltage (AC)	220-240V
Operating Temp.	-20°C to +40°C
Manufacturer	Sealite Co. Ltd.
Lux Levels	<3lux - 2000lux (adjustable)
Max. Load	500W
Power Frequency	50/60Hz
Max. Mounting Height	10
Housing Colour	White
Housing Material	Polycarbonate
Detection Angle	360°
Duration	10s - 30min



Other Options

Description	
NET-51-11-01	PIR Sensor (External) for Battens and NCFs

NET LED Lighting

Buckingham Business Park, 300 Anderson Road,
Swavesey, Cambridge, CB24 4UQ



ORDER BY 6PM
FOR NEXT DAY DELIVERY

T: 01223 851505 | sales@netled.co.uk | www.netled.co.uk