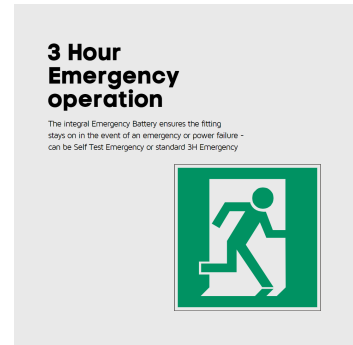


CAXTON DOWNLIGHT TRI-COLOUR 6" 16W TP(A) DIMMABLE EMERGENCY/SELF

NET-49-05-86



Features & Benefits

- Tridonic one4all Dimming - DALI 1 & 2 and switchDIM (Push)
- 3H Emergency function
- Ø165-175mm cut out size
- TP(α) flammability-rated diffuser
- Selectable 3000K, 4000K or 5500K colour temperature
- Shatterproof polycarbonate diffuser

Key Data

Power	16W
Luminous Flux	1600lm/1700lm/1650lm
Colour Temperature	3000K/4000K/5500K
IP Rating	IP65 Front/IP20 Rear
Dimensions	Ø190 x 45mm
Warranty	5 Years (Registration Required)

Compatible Accessories

NET-61-35-13	Buckden Self Test Emergency Kit 3W for Panels and Downlights
NET-42-43-24	DALI Dimmer Switch
NET-42-43-05	Merrytek Ceiling Mount Microwave Sensor

NET LED Lighting

Buckingham Business Park, 300 Anderson Road,
Swavesey, Cambridge, CB24 4UQ

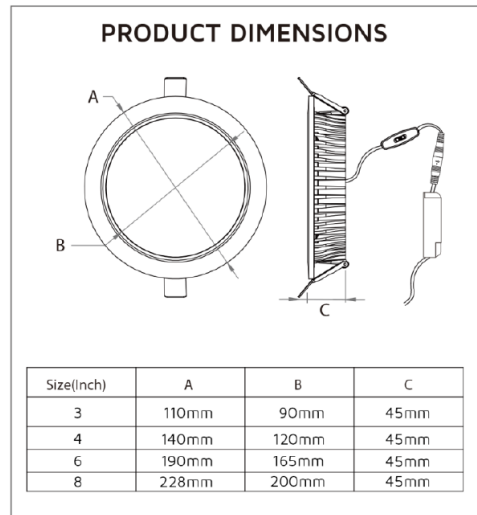
T: 01223 851505 | sales@netled.co.uk | www.netled.co.uk



ORDER BY 6PM
FOR NEXT DAY DELIVERY

Technical Specifications

Input Voltage (AC)	220-240V
Power Factor	>0.5
Luminaire Efficacy	105lm/W
LED Manufacturer	Hongliitronic
LED Type	SMD 2835
No. of LEDs	96
Driver Manufacturer	Tridonic Premium Series
Driver Output Voltage (DC)	24-43V
Total Circuit Power (W)	16W
Electrical Class	3
Colour Rendering	>80 CRI
Lamp Viewing Angle	110°
Dimmable	Yes
Flicker-Free	Yes
Operating Temp.	0°C to +45°C
Lifespan LM80	50,000 Hours
Diffuser Flammability Rating	TP(a)
UGR Rating	More than 19
Weight	0.63Kg
Manufacturer	CREP Optoelectronics
Hours Maintained	3H
Luminous Flux Factor	18.75%
Self Test	No
Cut-Out Size	ø165-175mm
Housing Colour	White
Housing Material	Aluminium
Battery Pack	LiFePO4 3.2V 4.5Ah
Dimming Input Type	Tridonic one4all Dimming - DALI 1 & 2 and switchDIM (Push)
Emergency Kit	3 Year Warranty
Emergency Operation	>3H
Emergency Pack	Streamer



Other Options

Description	
NET-49-05-74	Caxton Downlight Tri-Colour 6" 16W TP(a) Standard
NET-49-05-82	Caxton Downlight Tri-Colour 6" 16W TP(a) Emergency/Self Test
NET-49-05-84	Caxton Downlight Tri-Colour 6" 16W TP(a) Dimmable one4all
NET-49-05-86	Caxton Downlight Tri-Colour 6" 16W TP(a) Dimmable Emergency/Self Test
NET-49-05-27	Caxton Downlight Tri-Colour 6" 16W TP(a) Dimmable DALI Emergency

NET LED Lighting

Buckingham Business Park, 300 Anderson Road,
Swavesey, Cambridge, CB24 4UQ



ORDER BY 6PM
FOR NEXT DAY DELIVERY

Ø90-210MM CUT-OUT SIZES

Available in 3", 4", 6" and 8",
these downlights are designed
to fit most existing holes

STAINLESS STEEL RETAINING CLIPS

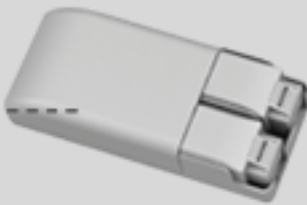
Quick and simple installation
with no need for additional
tools



TRIDONIC DIMMABLE DRIVER

Customise lighting levels and
reduce electricity consumption

Dimmable options only



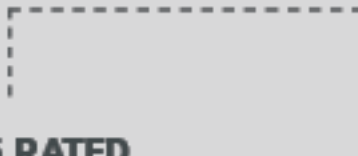
TP(A) FLAMMABILITY RATED DIFFUSER

Comply with Building Regulations
and prevent flaming particles



IP65 RATED FASCIA

Protect the downlight
from water and dust



SHATTERPROOF POLYCARBONATE DIFFUSER

Designed to prevent
the diffuser shattering into
small, indistinct pieces



SELECTABLE COLOUR TEMPERATURE

Choose your colour
temperature 3000K,
4000K or 5500K



NEW

MANUAL OR SELF TEST EMERGENCY SELECTABLE

Choose between manual
emergency or self test
emergency at the time
of installation

Emergency options only

