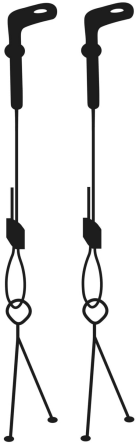


UNIVERSAL LED PANEL SUSPENSION KIT

NET-46-16-02



**Key Data**

Dimensions

Up to <2m Drop

Warranty

1 Year

**NET LED Lighting**

Buckingway Business Park, 300 Anderson Road,  
Swavesey, Cambridge, CB24 4UQ

T: 01223 851505 | [sales@netled.co.uk](mailto:sales@netled.co.uk) | [www.netled.co.uk](http://www.netled.co.uk)

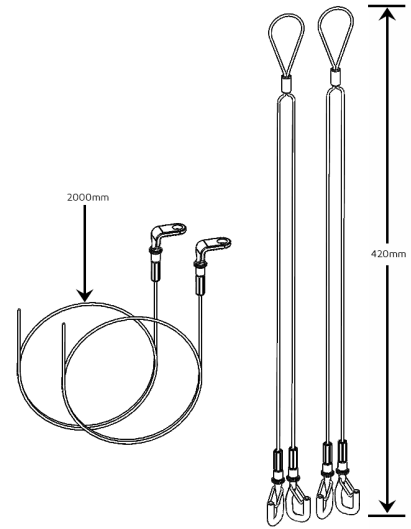


**ORDER BY 6PM**

FOR NEXT DAY DELIVERY

## Technical Specifications

Manufacturer	Gripple
Max. Suspended Weight	10Kg / Fixing Point
Product Fixing Method	Y Wires with Clips
Suspension Point	Ceiling Mounted 90° Eyelet
Housing Material	Polycarbonate



## Other Options

Description	
NET-46-16-02	Universal LED Panel Suspension Kit

### NET LED Lighting

Buckingham Business Park, 300 Anderson Road,  
Swavesey, Cambridge, CB24 4UQ



**ORDER BY 6PM**  
FOR NEXT DAY DELIVERY

T: 01223 851505 | [sales@netled.co.uk](mailto:sales@netled.co.uk) | [www.netled.co.uk](http://www.netled.co.uk)