

BOURNE SELF TEST EMERGENCY TWIN SPOT IP65 5.4W

NET-44-10-70



Features & Benefits

- IP65 rated housing
- Self Test Emergency for low maintenance
- Directional heads
- Rear or side entry
- Non-maintained Emergency operation
- Lamp and battery status indicator

Key Data

Power	5.4W
Luminous Flux	2 x 383lm
Colour Temperature	6500K
IP Rating	IP65
Dimensions	300 x 70 x 294mm
Warranty	3 Years

NET LED Lighting

Buckingway Business Park, 300 Anderson Road,
Swavesey, Cambridge, CB24 4UQ

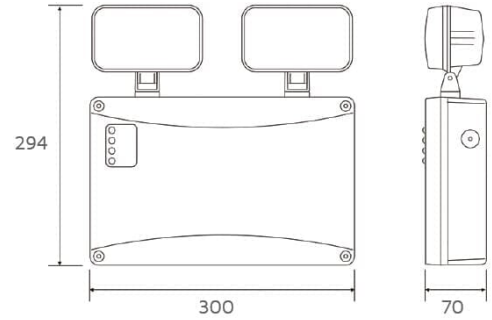
T: 01223 851505 | sales@netled.co.uk | www.netled.co.uk



ORDER BY 6PM
FOR NEXT DAY DELIVERY

Technical Specifications

Input Voltage (AC)	220-240V
Power Factor	>0.9
Luminaire Efficacy	70lm/W
No. of LEDs	108
Driver Manufacturer	DPPUL
Total Circuit Power (w)	5.4W +/- 0.5W
Electrical Class	1
Lamp Viewing Angle	64°
Dimmable	No
Operating Temp.	0°C to +40°C
Lifespan LM80	50,000 Hours
Weight	1.6Kg
Manufacturer	DPPUL
Hours Maintained	3 Hours
Maintained	No
Self Test	Yes
Housing Colour	White
Housing Material	Polycarbonate
Battery Pack	Ni-Cd F3.6V 6000 mAh
Battery Warranty	1 Year
Charge Time	24H
Discharge Time	>3H
Emergency Operation	3H



Other Options

Description	
NET-44-10-70	Bourne Self Test Emergency Twin Spot IP65 5.4W

NET LED Lighting

Buckingham Business Park, 300 Anderson Road,
Swavesey, Cambridge, CB24 4UQ



ORDER BY 6PM
FOR NEXT DAY DELIVERY

T: 01223 851505 | sales@netled.co.uk | www.netled.co.uk