

BOURNE NON-MAINTAINED EMERGENCY TWIN SPOT IP20 5.2W

NET-44-10-68



Key Data

Power	5.2W
Luminous Flux	2 x 193lm
Colour Temperature	6500K
IP Rating	IP20
Dimensions	280 x 308.5 x 55.5mm
Warranty	3 Years

NET LED Lighting

Buckingway Business Park, 300 Anderson Road,
Swavesey, Cambridge, CB24 4UQ

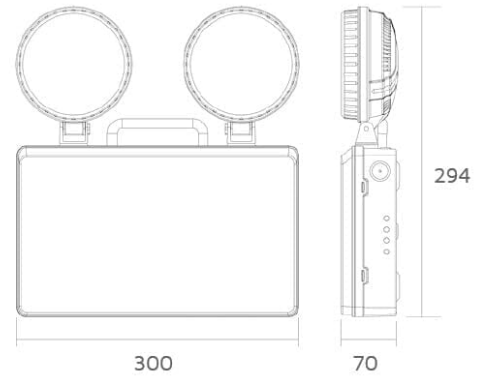
T: 01223 851505 | sales@netled.co.uk | www.netled.co.uk



ORDER BY 6PM
FOR NEXT DAY DELIVERY

Technical Specifications

Input Voltage (AC)	220-240V
Power Factor	>0.9
Luminaire Efficacy	37lm/W
No. of LEDs	80
Driver Manufacturer	DPPUL
Total Circuit Power (w)	5.2W +/- 0.5W
Electrical Class	1
Lamp Viewing Angle	30°
Dimmable	No
Operating Temp.	0°C to +40°C
Lifespan LM80	50,000 Hours
Weight	1.1Kg
Manufacturer	DPPUL
Hours Maintained	3 Hours
Maintained	No
Self Test	No
Housing Colour	White
Housing Material	Polycarbonate
Battery Pack	Ni-Cd D3.6V 4500 mAh
Battery Warranty	1 Year
Charge Time	24H
Discharge Time	>3H
Emergency Operation	3H



Other Options

Description	
NET-44-10-68	Bourne Non-Maintained Emergency Twin Spot IP20 5.2W

NET LED Lighting

Buckingham Business Park, 300 Anderson Road,
Swavesey, Cambridge, CB24 4UQ



ORDER BY 6PM
FOR NEXT DAY DELIVERY

T: 01223 851505 | sales@netled.co.uk | www.netled.co.uk