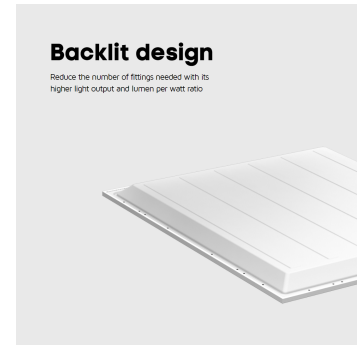
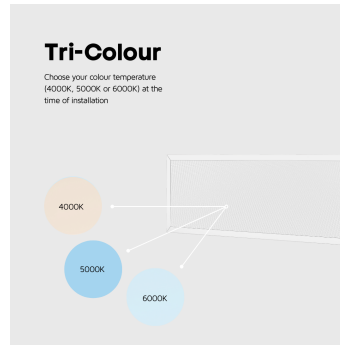
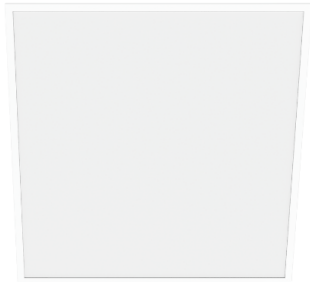


## ASHLEY BACKLIT PANEL UGR<19 TRI-COLOUR TP(A) 500X500 30W STANDARD

NET-43-03-82



### Features & Benefits

- Low glare diffuser with UGR rating <19
- TP(a) flammability-rated diffuser
- Selectable 3000K, 4000K or 6000K colour temperature
- Flicker-free driver
- Backlit for a uniform light distribution

### Key Data

<b>Power</b>	30W
<b>Luminous Flux</b>	3600lm/3900lm/3600lm
<b>Colour Temperature</b>	3000K/4000K/6000K
<b>IP Rating</b>	IP20
<b>Dimensions</b>	495 x 495 x 32mm
<b>Warranty</b>	5 Years (Registration Required)

### Compatible Accessories

NET-46-16-02	Universal LED Panel Suspension Kit
NET-39-16-03	Burgess Z Clips
NET-39-16-05	Burgess Adjustable Z Clips

### NET LED Lighting

Buckingham Business Park, 300 Anderson Road,  
Swavesey, Cambridge, CB24 4UQ

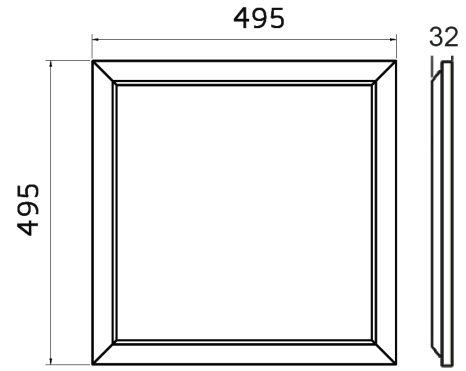
T: 01223 851505 | [sales@netled.co.uk](mailto:sales@netled.co.uk) | [www.netled.co.uk](http://www.netled.co.uk)



**ORDER BY 6PM**  
FOR NEXT DAY DELIVERY

## Technical Specifications

Input Voltage (AC)	220-240V
Power Factor	>0.9
Luminaire Efficacy	130lm/W
LED Manufacturer	Hongliitronic
LED Type	SMD 2835
Driver Manufacturer	Tridonic
Driver Output Voltage (DC)	30-42V
Total Circuit Power (W)	30W
Electrical Class	2
Colour Rendering	>80 CRI
Lamp Viewing Angle	120°
Dimmable	No
Flicker-Free	Yes
Operating Temp.	-15°C to +45°C
Lifespan LM80	50,000 Hours
Diffuser Flammability Rating	TP(a)
UGR Rating	Less than 19
Diffuser/LGP Material	PS
Manufacturer	Sochii Lighting
Frame Colour	White



All units are in mm

## Other Options

Description	
NET-43-03-82	Ashley Backlit Panel UGR<19 Tri-Colour TP(a) 500x500 30W Standard
NET-43-03-83	Ashley Backlit Panel UGR<19 Tri-Colour TP(a) 500x500 30W Emergency/Self Test
NET-43-03-84	Ashley Backlit Panel UGR<19 Tri-Colour TP(a) 500x500 30W Dimmable one4all
NET-43-03-85	Ashley Backlit Panel UGR<19 Tri-Colour TP(a) 500x500 30W Dimmable Emergency/Self Test
NET-43-03-86	Ashley Backlit Panel UGR<19 Tri-Colour TP(a) 500x500 30W Dimmable DALI Emergency

## NET LED Lighting

Buckingham Business Park, 300 Anderson Road,  
Swavesey, Cambridge, CB24 4UQ



**ORDER BY 6PM**  
FOR NEXT DAY DELIVERY

T: 01223 851505 | sales@netled.co.uk | www.netled.co.uk

Up to  
**140**  
lm/W

### BACKLIT DESIGN

Reduce the number of fittings needed with its higher light output and lumen per watt ratio

### SELECTABLE COLOUR TEMPERATURE

Choose your colour temperature 4000K, 5000K or 6000K

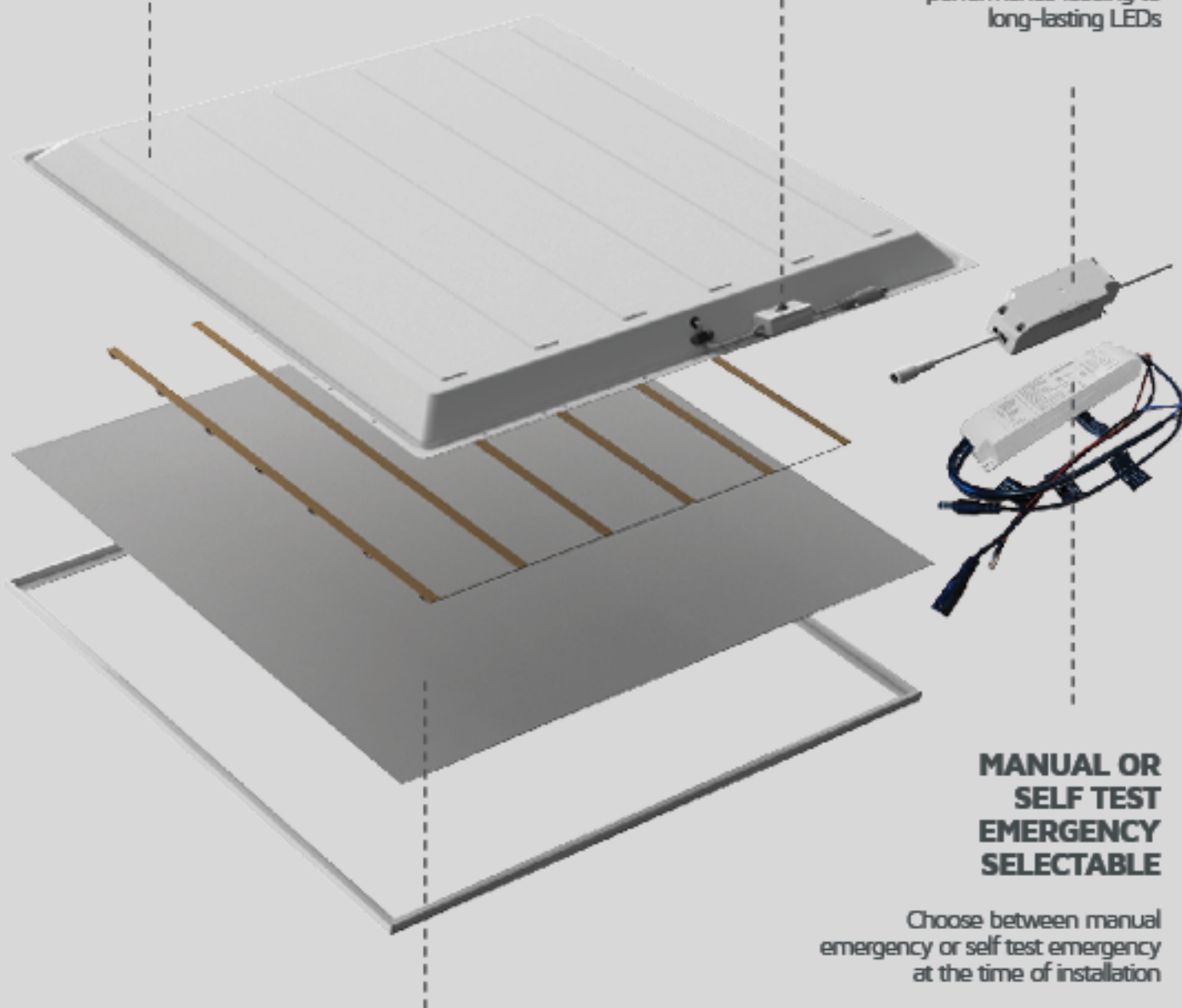
4K

5K

6K

### TRIDONIC DRIVER AS STANDARD

Ensure reliability, durability and performance leading to long-lasting LEDs



### MANUAL OR SELF TEST EMERGENCY SELECTABLE

Choose between manual emergency or self test emergency at the time of installation

*Emergency options only*

### LOW GLARE UGR<19 AND TP(A) FLAMMABILITY RATED DIFFUSER

Reduce headaches and comply with Building Regulations