

**ASHLEY BACKLIT PANEL IP65 UGR<19 TRI-COLOUR 600X600 30W TP(A) DIMMABLE**

NET-43-03-71


**Features & Benefits**

- DALI Addressable Emergency function
- Merrytek 2-in-1 Dimming - DALI/Push
- IP65 rated front face
- Low glare diffuser with UGR rating <19
- TP(α) flammability-rated diffuser
- Selectable 3000K, 4000K or 6000K colour temperature

**Key Data**

<b>Power</b>	30W
<b>Luminous Flux</b>	3600lm/3750lm/3650lm
<b>Colour Temperature</b>	3000K/4000K/6000K
<b>IP Rating</b>	IP65 Front/IP20 Rear
<b>Dimensions</b>	595 x 595 x 27mm
<b>Warranty</b>	5 Years (Registration Required)

**Compatible Accessories**

NET-39-16-01	Recess Clips (set of 4)
NET-61-35-13	Buckden Self Test Emergency Kit 3W for Panels and Downlights
NET-39-03-47	Panel Recessed Frame 600x600mm
NET-39-03-39	Panel Surface Box 600x600mm
NET-43-16-04	Suspension Kit for 600x600mm Ashley Panels

**NET LED Lighting**

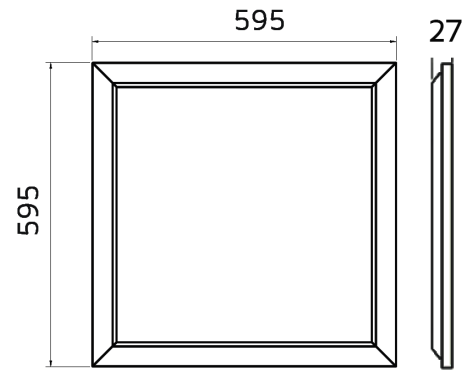
 Buckingham Business Park, 300 Anderson Road,  
 Swavesey, Cambridge, CB24 4UQ

T: 01223 851505 | sales@netled.co.uk | www.netled.co.uk


**ORDER BY 6PM**  
 FOR NEXT DAY DELIVERY

## Technical Specifications

Input Voltage (AC)	220-240V
Power Factor	>0.9
Luminaire Efficacy	137lm/W
LED Manufacturer	Hongliitronic
LED Type	SMD 2835
No. of LEDs	42
Driver Manufacturer	Merrytek
Driver Output Voltage (DC)	30-42V
Total Circuit Power (W)	30W
Electrical Class	2
Colour Rendering	>80 CRI
Lamp Viewing Angle	120°
Dimmable	Yes
Flicker-Free	Yes
Operating Temp.	0°C to +45°C
Lifespan LM80	50,000 Hours
Diffuser Flammability Rating	TP(a)
UGR Rating	Less than 19
Diffuser/LGP Material	PS
Weight	1.56Kg
Manufacturer	Sochii Lighting
Frame Colour	White
Hours Maintained	3H
Self Test	No
Battery Pack	LiFePO4
Battery Warranty	1 Year Warranty
Dimming Input Type	DALI Addressable
Emergency Kit	3 Year Warranty
Emergency Operation	>3H



All units are in mm

## Other Options

Description	
NET-43-03-65	Ashley Backlit Panel IP65 UGR<19 Tri-Colour 600x600 30W TP(a) Standard
NET-43-03-66	Ashley Backlit Panel IP65 UGR<19 Tri-Colour 600x600 30W TP(a) Emergency/Self Test
NET-43-03-68	Ashley Backlit Panel IP65 UGR<19 Tri-Colour 600x600 30W TP(a) Dimmable one4all
NET-43-03-69	Ashley Backlit Panel IP65 UGR<19 Tri-Colour 600x600 30W TP(a) Dimmable Emergency/Self Test
NET-43-03-71	Ashley Backlit Panel IP65 UGR<19 Tri-Colour 600x600 30W TP(a) Dimmable DALI Emergency

## NET LED Lighting

Buckingham Business Park, 300 Anderson Road,  
Swavesey, Cambridge, CB24 4UQ



**ORDER BY 6PM**  
FOR NEXT DAY DELIVERY

T: 01223 851505 | sales@netled.co.uk | www.netled.co.uk

**135**  
lm/W

### 3-IN-1 DIMMABLE DRIVER

Choose between 1-10V, Push or DALI Dimming

*Dimmable options only*

### 3H EMERGENCY OPERATION

Ensures the fitting comes on in the event of a power failure

*Emergency options only*

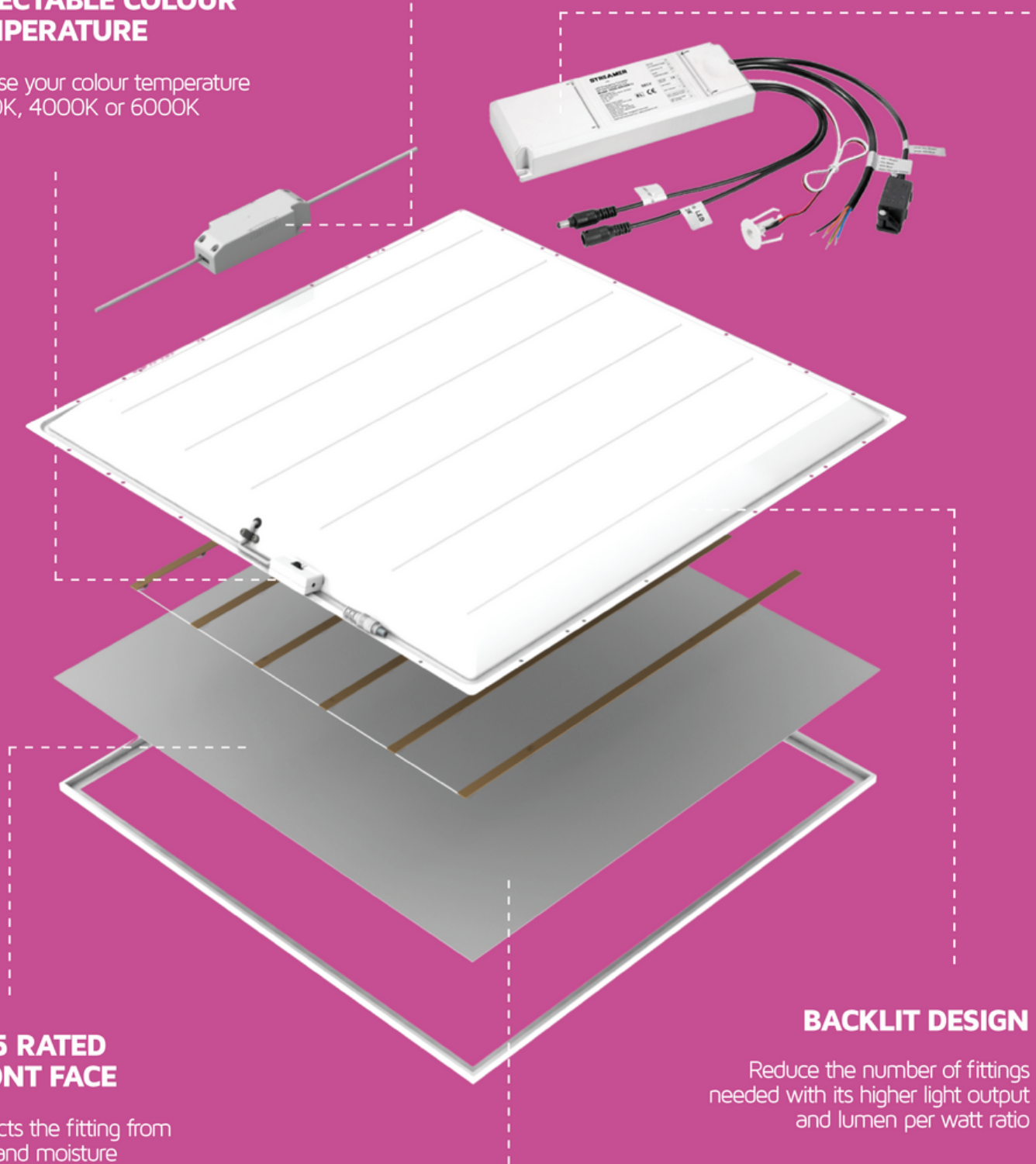
3K

4K

6K

### SELECTABLE COLOUR TEMPERATURE

Choose your colour temperature 3000K, 4000K or 6000K



### IP65 RATED FRONT FACE

Protects the fitting from dust and moisture

### BACKLIT DESIGN

Reduce the number of fittings needed with its higher light output and lumen per watt ratio

### LOW GLARE UGR<19 AND TP(A) FLAMMABILITY RATED DIFFUSER

Reduce headaches and comply with Building Regulations