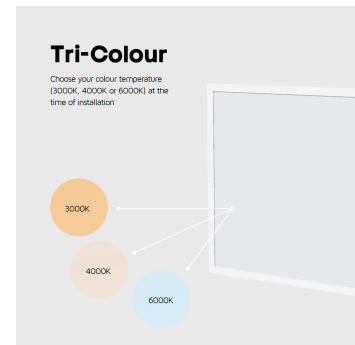
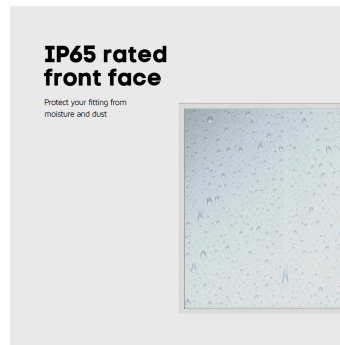


ASHLEY BACKLIT PANEL IP65 UGR<19 TRI-COLOUR 600X600 30W TP(A) STANDARD

NET-43-03-65



Features & Benefits

- IP65 rated front face
- Low glare diffuser with UGR rating <19
- TP(a) flammability-rated diffuser
- Selectable 3000K, 4000K or 6000K colour temperature
- Flicker-free OSRAM driver
- Backlit for a uniform light distribution

Key Data

| | |
|---------------------------|---------------------------------|
| Power | 30W |
| Luminous Flux | 3600lm/3750lm/3650lm |
| Colour Temperature | 3000K/4000K/6000K |
| IP Rating | IP65 Front/IP20 Rear |
| Dimensions | 595 x 595 x 27mm |
| Warranty | 5 Years (Registration Required) |

Compatible Accessories

| | |
|--------------|--|
| NET-39-16-01 | Recess Clips (set of 4) |
| NET-50-12-08 | Manual/Self Test Emergency Selectable LED Converter 2.5W |
| NET-61-33-03 | DALI Emergency Kit 3W |
| NET-61-35-13 | Buckden Self Test Emergency Kit 3W for Panels and Downlights |
| NET-60-43-80 | Tridonic Triac Dimmable Driver 30W/45W (600x600mm and 1200x600mm Panels) |
| NET-39-03-47 | Panel Recessed Frame 600x600mm |
| NET-39-03-39 | Panel Surface Box 600x600mm |
| NET-43-16-04 | Suspension Kit for 600x600mm Ashley Panels |

NET LED Lighting

Buckingham Business Park, 300 Anderson Road,
Swavesey, Cambridge, CB24 4UQ

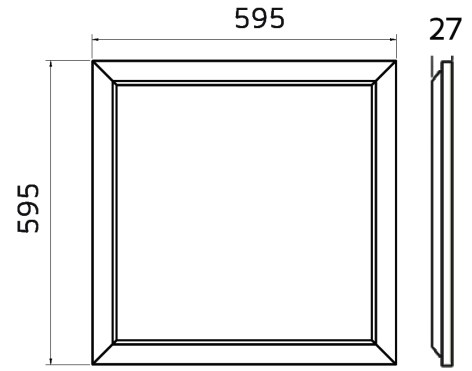
T: 01223 851505 | sales@netled.co.uk | www.netled.co.uk



ORDER BY 6PM
FOR NEXT DAY DELIVERY

Technical Specifications

| | |
|------------------------------|-----------------|
| Input Voltage (AC) | 220-240V |
| Power Factor | >0.9 |
| Luminaire Efficacy | 137lm/w |
| LED Manufacturer | Hongliitronic |
| LED Type | SMD 2835 |
| No. of LEDs | 42 |
| Driver Manufacturer | OSRAM |
| Driver Output Voltage (DC) | 30-42V |
| Total Circuit Power (w) | 30W |
| Electrical Class | 2 |
| Colour Rendering | >80 CRI |
| Lamp Viewing Angle | 120° |
| Dimmable | No |
| Flicker-Free | Yes |
| Operating Temp. | 0°C to +45°C |
| Lifespan LM80 | 50,000 Hours |
| Diffuser Flammability Rating | TP(a) |
| UGR Rating | Less than 19 |
| Diffuser/LGP Material | PS |
| Weight | 1.56Kg |
| Manufacturer | Sochii Lighting |
| Frame Colour | White |



All units are in mm

Other Options

| Description | |
|--------------|--|
| NET-43-03-65 | Ashley Backlit Panel IP65 UGR<19 Tri-Colour 600x600 30W TP(a) Standard |
| NET-43-03-66 | Ashley Backlit Panel IP65 UGR<19 Tri-Colour 600x600 30W TP(a) Emergency/Self Test |
| NET-43-03-68 | Ashley Backlit Panel IP65 UGR<19 Tri-Colour 600x600 30W TP(a) Dimmable one4all |
| NET-43-03-69 | Ashley Backlit Panel IP65 UGR<19 Tri-Colour 600x600 30W TP(a) Dimmable Emergency/Self Test |
| NET-43-03-71 | Ashley Backlit Panel IP65 UGR<19 Tri-Colour 600x600 30W TP(a) Dimmable DALI Emergency |

NET LED Lighting

Buckingham Business Park, 300 Anderson Road,
Swavesey, Cambridge, CB24 4UQ



ORDER BY 6PM
FOR NEXT DAY DELIVERY

135
lm/W

3-IN-1 DIMMABLE DRIVER

Choose between 1-10V, Push or DALI Dimming

3H EMERGENCY OPERATION

Ensures the fitting comes on in the event of a power failure

3K

4K

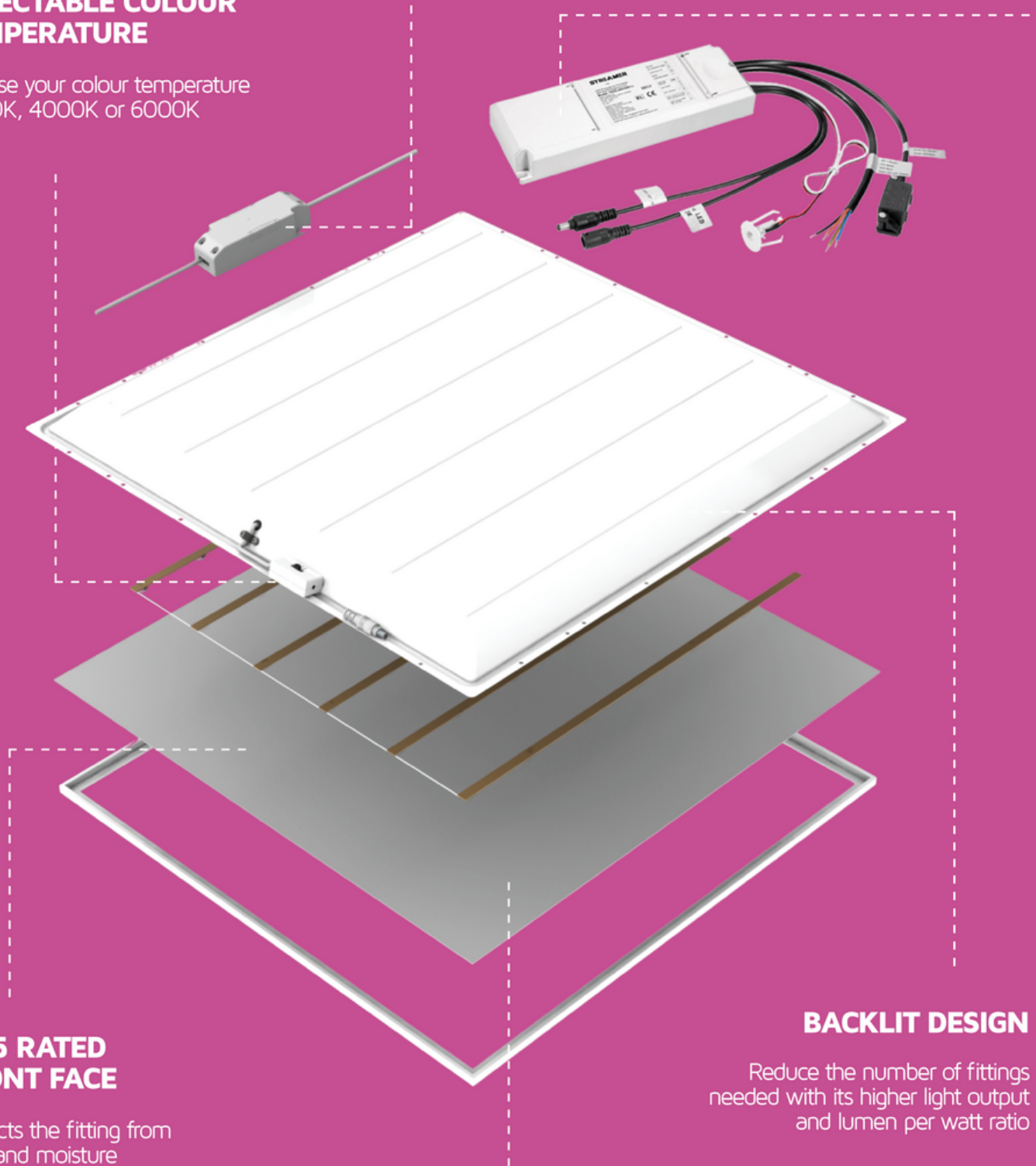
6K

SELECTABLE COLOUR TEMPERATURE

Choose your colour temperature 3000K, 4000K or 6000K

Dimmable options only

Emergency options only



IP65 RATED FRONT FACE

Protects the fitting from dust and moisture

BACKLIT DESIGN

Reduce the number of fittings needed with its higher light output and lumen per watt ratio

LOW GLARE UGR<19 AND TP(A) FLAMMABILITY RATED DIFFUSER

Reduce headaches and comply with Building Regulations