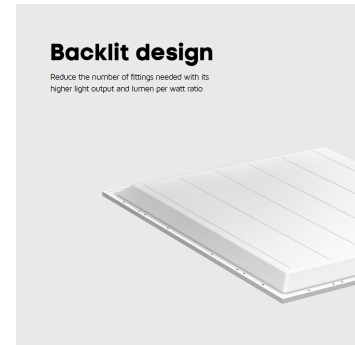


ASHLEY BACKLIT PANEL UGR<19 4000K 600X600 36W TP(A) DIMMABLE ONE4ALL

NET-43-03-62


Features & Benefits

- Tridonic one4all Dimming - DALI 1 & 2 or switchDIM (Push)
- Low glare diffuser with UGR rating <19
- TP(a) flammability-rated diffuser
- Single colour temperature 4000K
- Flicker-free driver
- Backlit for a uniform light distribution

Key Data

Power	36W
Luminous Flux	3240-3600lm
Colour Temperature	4000K
IP Rating	IP20
Dimensions	595 x 595 x 25mm
Warranty	5 Years (Registration Required)

Compatible Accessories

NET-39-16-01	Recess Clips (set of 4)
NET-50-12-08	Manual/Self Test Emergency Selectable LED Converter 2.5W
NET-61-33-03	DALI Emergency Kit 3W
NET-61-35-13	Buckden Self Test Emergency Kit 3W for Panels and Downlights
NET-39-03-47	Panel Recessed Frame 600x600mm
NET-39-03-39	Panel Surface Box 600x600mm
NET-43-16-04	Suspension Kit for 600x600mm Ashley Panels

NET LED Lighting

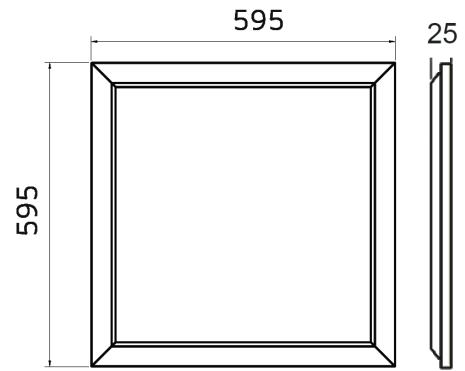
 Buckingham Business Park, 300 Anderson Road,
 Swavesey, Cambridge, CB24 4UQ

T: 01223 851505 | sales@netled.co.uk | www.netled.co.uk


ORDER BY 6PM
 FOR NEXT DAY DELIVERY

Technical Specifications

Input Voltage (AC)	220-240V
Power Factor	>0.9
Luminaire Efficacy	100lm/W
LED Manufacturer	Hongliitronic
LED Type	SMD 2835
No. of LEDs	42
Driver Manufacturer	Tridonic
Driver Output Voltage (DC)	30-42V
Total Circuit Power (W)	36W
Electrical Class	2
Colour Rendering	>80 CRI
Lamp Viewing Angle	120°
Dimmable	Yes
Flicker-Free	Yes
Operating Temp.	0°C to +45°C
Lifespan LM80	50,000 Hours
Diffuser Flammability Rating	TP(a)
UGR Rating	Less than 19
Diffuser/LGP Material	PS
Weight	1.56Kg
Manufacturer	Sochii Lighting
Frame Colour	White
Dimming Input Type	Tridonic one4all Dimming - DALI 1 & 2 and switchDIM (Push)



All units are in mm

Other Options

Description	
NET-43-03-60	Ashley Backlit Panel UGR<19 4000K 600x600 36W TP(a) Standard
NET-43-03-61	Ashley Backlit Panel UGR<19 4000K 600x600 36W TP(a) Emergency/Self Test
NET-43-03-62	Ashley Backlit Panel UGR<19 4000K 600x600 36W TP(a) Dimmable one4all
NET-43-03-63	Ashley Backlit Panel UGR<19 4000K 600x600 36W TP(a) Dimmable Emergency/Self Test
NET-43-03-39	Ashley Backlit Panel UGR<19 4000K 600x600 36W TP(a) Dimmable DALI Emergency

NET LED Lighting

Buckingham Business Park, 300 Anderson Road,
Swavesey, Cambridge, CB24 4UQ



ORDER BY 6PM
FOR NEXT DAY DELIVERY

T: 01223 851505 | sales@netled.co.uk | www.netled.co.uk

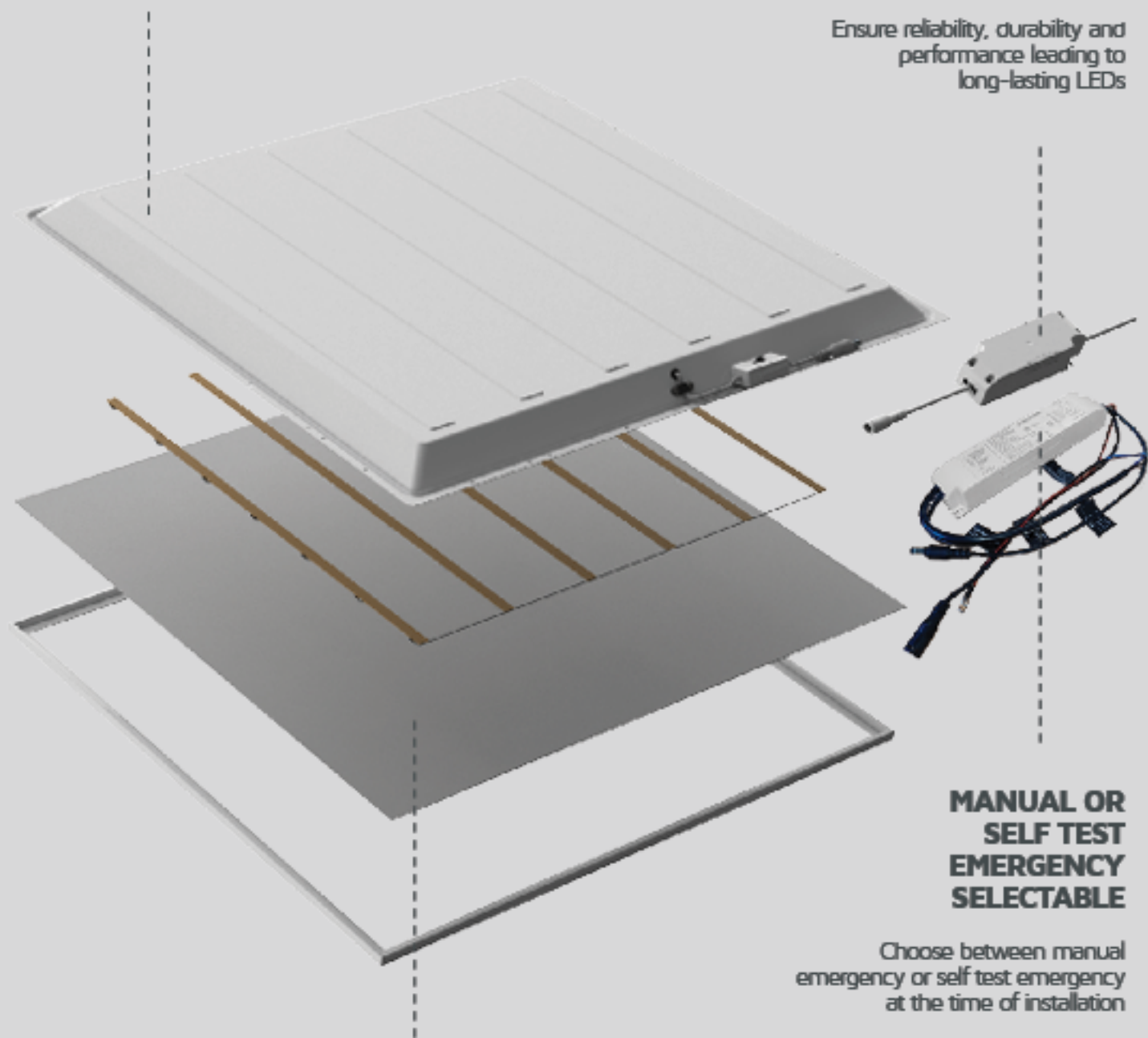
Up to
140
lm/W

BACKLIT DESIGN

Reduce the number of fittings needed with its higher light output and lumen per watt ratio

TRIDONIC DRIVER AS STANDARD

Ensure reliability, durability and performance leading to long-lasting LEDs



MANUAL OR SELF TEST EMERGENCY SELECTABLE

Choose between manual emergency or self test emergency at the time of installation

Emergency options only

LOW GLARE UGR<19 AND TP(A) FLAMMABILITY RATED DIFFUSER

Reduce headaches and comply with Building Regulations