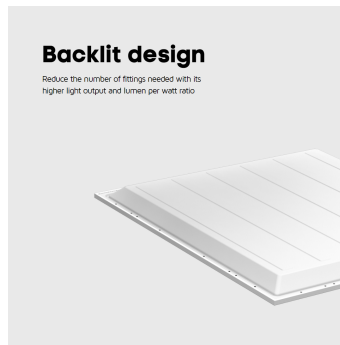


ASHLEY BACKLIT PANEL UGR<19 4000K 600X600 36W TP(A) STANDARD

NET-43-03-60



Features & Benefits

- Low glare diffuser with UGR rating <19
- TP(a) flammability-rated diffuser
- Single colour temperature 4000K
- Flicker-free driver
- Backlit for a uniform light distribution

Key Data

Power	36W
Luminous Flux	3240-3600lm
Colour Temperature	4000K
IP Rating	IP20
Dimensions	595 x 595 x 25mm
Warranty	5 Years (Registration Required)

Compatible Accessories

NET-39-16-01	Recess Clips (set of 4)
NET-50-12-08	Manual/Self Test Emergency Selectable LED Converter 2.5W
NET-61-33-03	DALI Emergency Kit 3W
NET-61-35-13	Buckden Self Test Emergency Kit 3W for Panels and Downlights
NET-60-43-80	Tridonic Triac Dimmable Driver 30W/45W (600x600mm and 1200x600mm Panels)
NET-39-03-47	Panel Recessed Frame 600x600mm
NET-39-03-39	Panel Surface Box 600x600mm
NET-43-16-04	Suspension Kit for 600x600mm Ashley Panels

NET LED Lighting

Buckingham Business Park, 300 Anderson Road,
Swavesey, Cambridge, CB24 4UQ

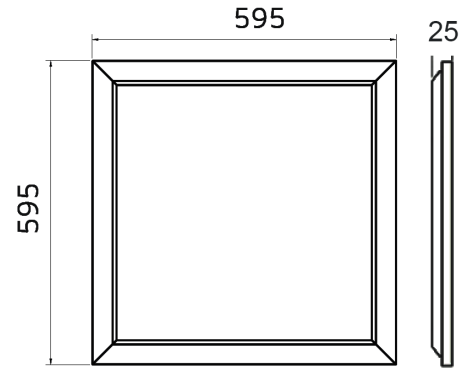
T: 01223 851505 | sales@netled.co.uk | www.netled.co.uk



ORDER BY 6PM
FOR NEXT DAY DELIVERY

Technical Specifications

Input Voltage (AC)	220-240V
Power Factor	>0.9
Luminaire Efficacy	100lm/w
LED Manufacturer	Hongliitronic
LED Type	SMD 2835
No. of LEDs	42
Driver Manufacturer	Tridonic
Driver Output Voltage (DC)	30-42V
Total Circuit Power (W)	36W
Electrical Class	2
Colour Rendering	>80 CRI
Lamp Viewing Angle	120°
Dimmable	No
Flicker-Free	Yes
Operating Temp.	0°C to +45°C
Lifespan LM80	50,000 Hours
Diffuser Flammability Rating	TP(a)
UGR Rating	Less than 19
Diffuser/LGP Material	PS
Weight	1.56Kg
Manufacturer	Sochii Lighting
Frame Colour	White



All units are in mm

Other Options

Description	
NET-43-03-60	Ashley Backlit Panel UGR<19 4000K 600x600 36W TP(a) Standard
NET-43-03-61	Ashley Backlit Panel UGR<19 4000K 600x600 36W TP(a) Emergency/Self Test
NET-43-03-62	Ashley Backlit Panel UGR<19 4000K 600x600 36W TP(a) Dimmable one4all
NET-43-03-63	Ashley Backlit Panel UGR<19 4000K 600x600 36W TP(a) Dimmable Emergency/Self Test
NET-43-03-39	Ashley Backlit Panel UGR<19 4000K 600x600 36W TP(a) Dimmable DALI Emergency

NET LED Lighting

Buckingham Business Park, 300 Anderson Road,
Swavesey, Cambridge, CB24 4UQ



ORDER BY 6PM
FOR NEXT DAY DELIVERY

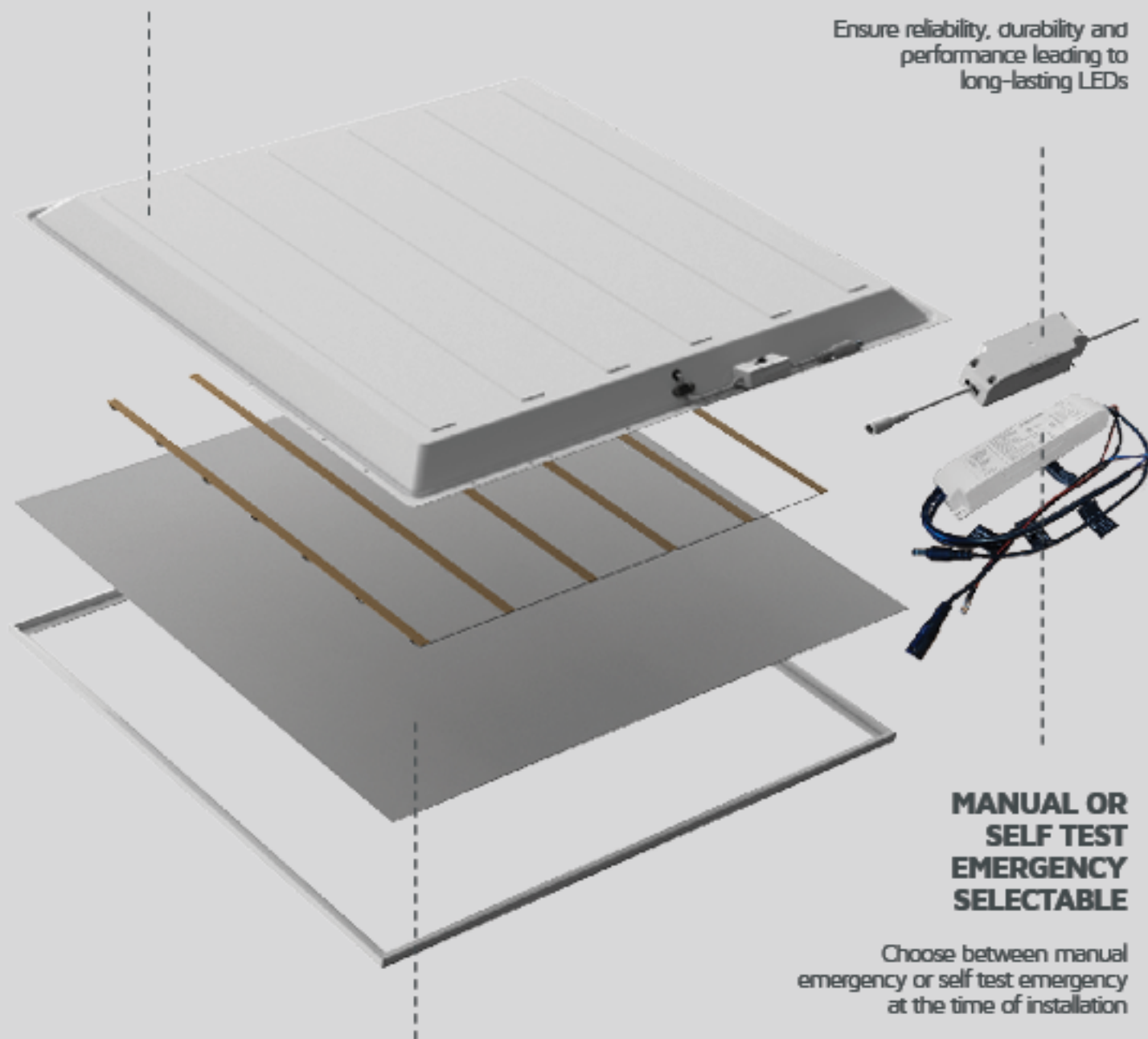
Up to
140
lm/W

BACKLIT DESIGN

Reduce the number of fittings needed with its higher light output and lumen per watt ratio

TRIDONIC DRIVER AS STANDARD

Ensure reliability, durability and performance leading to long-lasting LEDs



MANUAL OR SELF TEST EMERGENCY SELECTABLE

Choose between manual emergency or self test emergency at the time of installation

Emergency options only

LOW GLARE UGR<19 AND TP(A) FLAMMABILITY RATED DIFFUSER

Reduce headaches and comply with Building Regulations