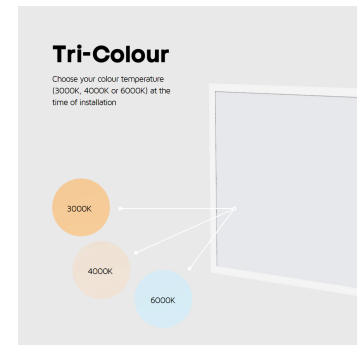


ASHLEY BACKLIT PANEL UGR<19 TRI-COLOUR 600X600 30W TP(A) BLUETOOTH

NET-43-03-26



Features & Benefits

- Controllable via app or Dimmable/Scene Switch
- Low glare diffuser with UGR rating <19
- TP(a) flammability-rated diffuser
- Selectable 3000K, 4000K or 6000K colour temperature
- Flicker-free driver
- Backlit for a uniform light distribution

Key Data

Power	30W
Luminous Flux	3600lm/3900lm/3600lm
Colour Temperature	3000K/4000K/6000K
IP Rating	IP20
Dimensions	595 x 595 x 25mm
Warranty	5 Years (Registration Required)

Compatible Accessories

NET-39-16-01	Recess Clips (set of 4)
NET-50-12-08	Manual/Self Test Emergency Selectable LED Converter 2.5W
NET-61-33-03	DALI Emergency Kit 3W
NET-61-35-13	Buckden Self Test Emergency Kit 3W for Panels and Downlights
NET-39-03-47	Panel Recessed Frame 600x600mm
NET-60-16-80	Tridonic Bluetooth Multifunction Dimmable/Scene Switch
NET-39-03-39	Panel Surface Box 600x600mm
NET-43-16-04	Suspension Kit for 600x600mm Ashley Panels

NET LED Lighting

Buckingham Business Park, 300 Anderson Road,
Swavesey, Cambridge, CB24 4UQ

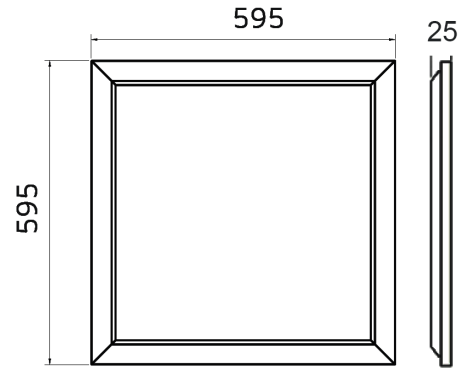
T: 01223 851505 | sales@netled.co.uk | www.netled.co.uk



ORDER BY 6PM
FOR NEXT DAY DELIVERY

Technical Specifications

Input Voltage (AC)	220-240V
Power Factor	>0.9
Luminaire Efficacy	147lm/W
LED Manufacturer	Hongliitronic
LED Type	SMD 2835
No. of LEDs	42
Driver Manufacturer	Tridonic
Driver Output Voltage (DC)	30-42V
Total Circuit Power (W)	30W
Electrical Class	2
Colour Rendering	>80 CRI
Lamp Viewing Angle	120°
Dimmable	Yes
Flicker-Free	Yes
Operating Temp.	0°C to +45°C
Lifespan LM80	50,000 Hours
Diffuser Flammability Rating	TP(a)
UGR Rating	Less than 19
Diffuser/LGP Material	PS
Weight	1.56Kg
Manufacturer	Sochii Lighting
Frame Colour	White
Dimming Input Type	BasicDIM Wireless (Bluetooth)



All units are in mm

Other Options

Description	
NET-43-03-20	Ashley Backlit Panel UGR<19 Tri-Colour 600x600 30W TP(a) Standard
NET-43-03-21	Ashley Backlit Panel UGR<19 Tri-Colour 600x600 30W TP(a) Emergency/Self Test
NET-43-03-22	Ashley Backlit Panel UGR<19 Tri-Colour 600x600 30W TP(a) Dimmable one4all
NET-43-03-23	Ashley Backlit Panel UGR<19 Tri-Colour 600x600 30W TP(a) Dimmable Emergency/Self Test
NET-43-03-25	Ashley Backlit Panel UGR<19 Tri-Colour 600x600 30W TP(a) Dimmable DALI Emergency
NET-43-03-26	Ashley Backlit Panel UGR<19 Tri-Colour 600x600 30W TP(a) Bluetooth
NET-43-03-27	Ashley Backlit Panel UGR<19 Tri-Colour 600x600 30W TP(a) Bluetooth Emergency/Self Test

NET LED Lighting

Buckingham Business Park, 300 Anderson Road,
Swavesey, Cambridge, CB24 4UQ



ORDER BY 6PM
FOR NEXT DAY DELIVERY

Up to
145
lm/W

DIMMABLE DRIVER

Customise lighting levels
and reduce electricity consumption

Dimmable options only

3H EMERGENCY OPERATION

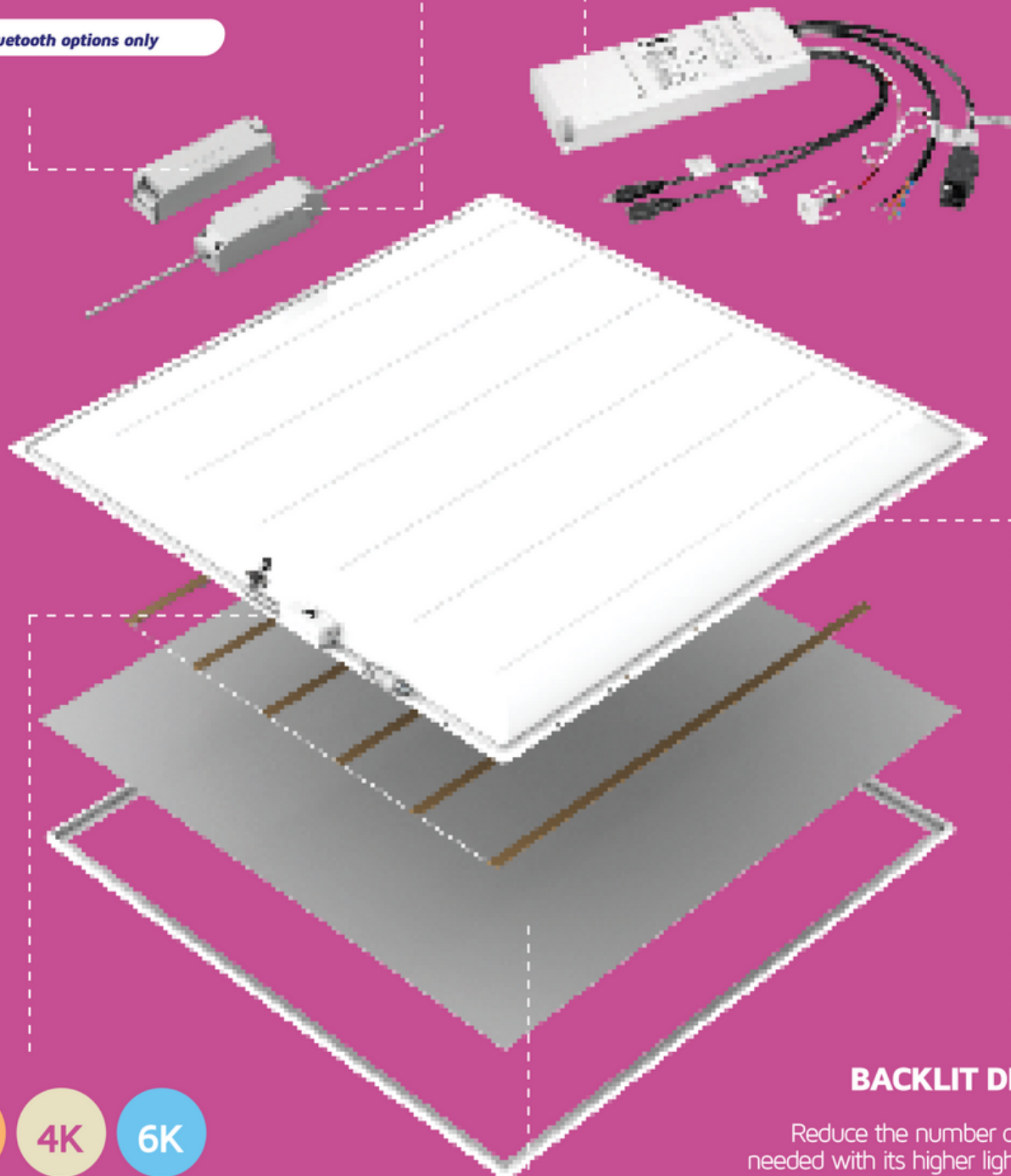
Ensures the fitting comes on in
the event of a power failure

Emergency options only

WIRELESS CONTROL

Control the panel remotely via
smartphone or tablet with it's
Bluetooth Dimmable Driver

Bluetooth options only



BACKLIT DESIGN

Reduce the number of fittings
needed with its higher light output
and lumen per watt ratio

3K

4K

6K

SELECTABLE COLOUR TEMPERATURE

Choose your colour temperature
3000K, 4000K or 6000K

LOW GLARE UGR<19 AND TP(A) FLAMMABILITY RATED DIFFUSER

Reduce headaches and comply
with Building Regulations