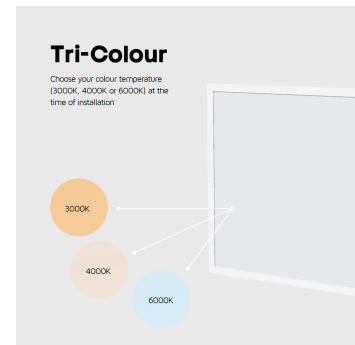


**ASHLEY BACKLIT PANEL UGR<19 TRI-COLOUR 600X600 30W TP(A) DIMMABLE**

NET-43-03-22


**Features & Benefits**

- Tridonic one4all Dimming - DALI 1 & 2 or switchDIM (Push)
- Low glare diffuser with UGR rating <19
- TP(a) flammability-rated diffuser
- Selectable 3000K, 4000K or 6000K colour temperature
- Flicker-free driver
- Backlit for a uniform light distribution

**Key Data**

<b>Power</b>	30W
<b>Luminous Flux</b>	3600lm/3900lm/3600lm
<b>Colour Temperature</b>	3000K/4000K/6000K
<b>IP Rating</b>	IP20
<b>Dimensions</b>	595 x 595 x 25mm
<b>Warranty</b>	5 Years (Registration Required)

**Compatible Accessories**

NET-39-16-01	Recess Clips (set of 4)
NET-50-12-08	Manual/Self Test Emergency Selectable LED Converter 2.5W
NET-61-33-03	DALI Emergency Kit 3W
NET-61-35-13	Buckden Self Test Emergency Kit 3W for Panels and Downlights
NET-39-03-47	Panel Recessed Frame 600x600mm
NET-39-03-39	Panel Surface Box 600x600mm
NET-43-16-04	Suspension Kit for 600x600mm Ashley Panels

**NET LED Lighting**

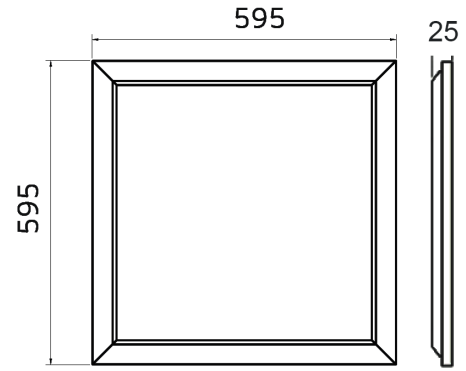
 Buckingham Business Park, 300 Anderson Road,  
 Swavesey, Cambridge, CB24 4UQ

T: 01223 851505 | sales@netled.co.uk | www.netled.co.uk


**ORDER BY 6PM**  
 FOR NEXT DAY DELIVERY

## Technical Specifications

Input Voltage (AC)	220-240V
Power Factor	>0.9
Luminaire Efficacy	147lm/W
LED Manufacturer	Hongliitronic
LED Type	SMD 2835
No. of LEDs	42
Driver Manufacturer	Tridonic
Driver Output Voltage (DC)	30-42V
Total Circuit Power (W)	30W
Electrical Class	2
Colour Rendering	>80 CRI
Lamp Viewing Angle	120°
Dimmable	Yes
Flicker-Free	Yes
Operating Temp.	0°C to +45°C
Lifespan LM80	50,000 Hours
Diffuser Flammability Rating	TP(a)
UGR Rating	Less than 19
Diffuser/LGP Material	PS
Weight	1.56Kg
Manufacturer	Sochii Lighting
Frame Colour	White
Dimming Input Type	Tridonic one4all Dimming - DALI 1 & 2 and switchDIM (Push)



All units are in mm

## Other Options

Description	
NET-43-03-20	Ashley Backlit Panel UGR<19 Tri-Colour 600x600 30W TP(a) Standard
NET-43-03-21	Ashley Backlit Panel UGR<19 Tri-Colour 600x600 30W TP(a) Emergency/Self Test
NET-43-03-22	Ashley Backlit Panel UGR<19 Tri-Colour 600x600 30W TP(a) Dimmable one4all
NET-43-03-23	Ashley Backlit Panel UGR<19 Tri-Colour 600x600 30W TP(a) Dimmable Emergency/Self Test
NET-43-03-25	Ashley Backlit Panel UGR<19 Tri-Colour 600x600 30W TP(a) Dimmable DALI Emergency
NET-43-03-26	Ashley Backlit Panel UGR<19 Tri-Colour 600x600 30W TP(a) Bluetooth
NET-43-03-27	Ashley Backlit Panel UGR<19 Tri-Colour 600x600 30W TP(a) Bluetooth Emergency/Self Test

## NET LED Lighting

Buckingham Business Park, 300 Anderson Road,  
Swavesey, Cambridge, CB24 4UQ



**ORDER BY 6PM**  
FOR NEXT DAY DELIVERY

Up to  
**145**  
lm/W

## DIMMABLE DRIVER

Customise lighting levels  
and reduce electricity consumption

*Dimmable options only*

## 3H EMERGENCY OPERATION

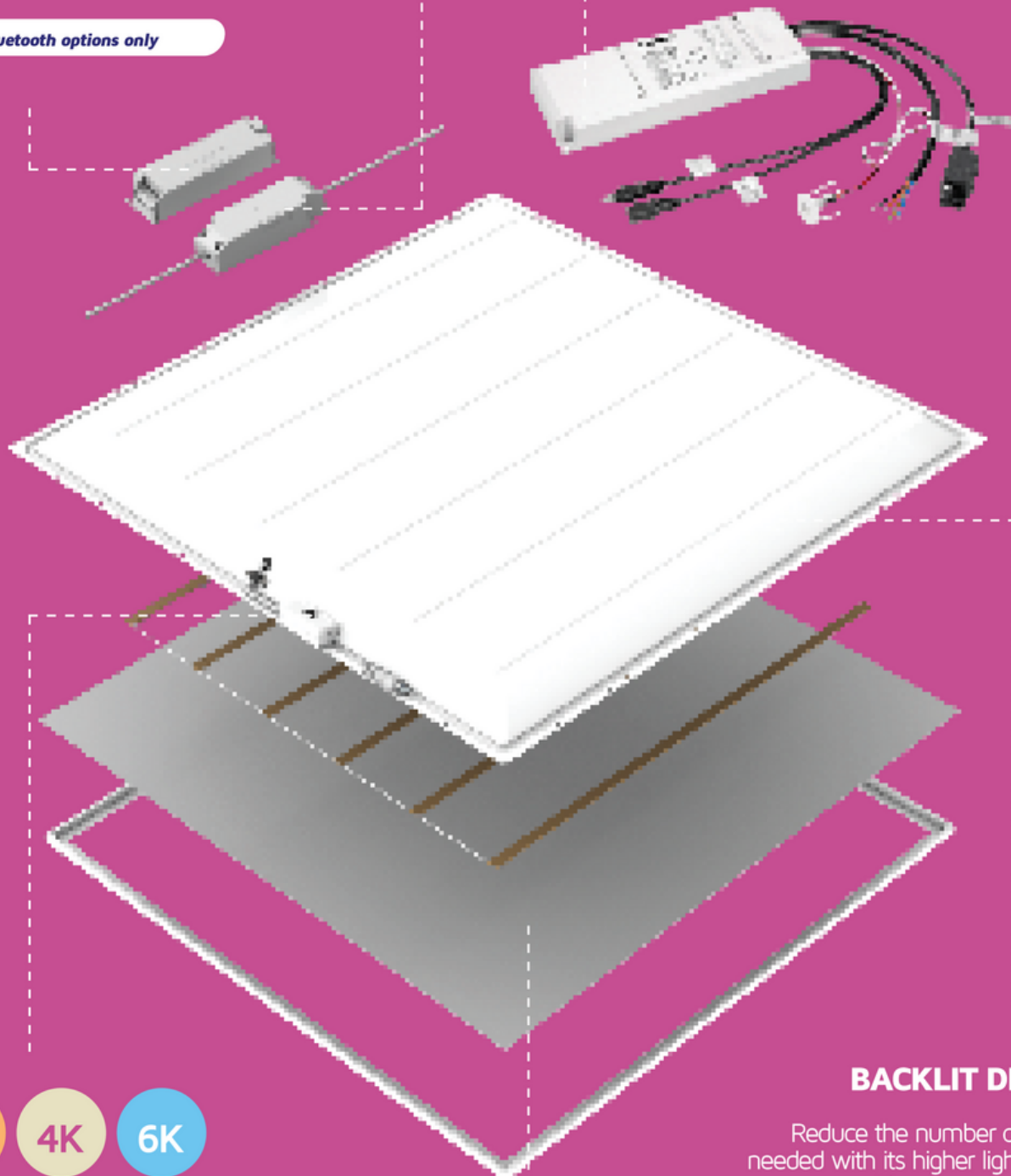
Ensures the fitting comes on in  
the event of a power failure

*Emergency options only*

## WIRELESS CONTROL

Control the panel remotely via  
smartphone or tablet with it's  
Bluetooth Dimmable Driver

*Bluetooth options only*



## BACKLIT DESIGN

Reduce the number of fittings  
needed with its higher light output  
and lumen per watt ratio

3K

4K

6K

## SELECTABLE COLOUR TEMPERATURE

Choose your colour temperature  
3000K, 4000K or 6000K

## LOW GLARE UGR<19 AND TP(A) FLAMMABILITY RATED DIFFUSER

Reduce headaches and comply  
with Building Regulations