

**KREAT DIMMING DRIVER UP TO 40W**

NET-42-43-17



**Key Data**

<b>Power</b>	40W
<b>IP Rating</b>	IP20
<b>Dimensions</b>	202 x 58 x 30mm
<b>Warranty</b>	3 Years

**Compatible Accessories**

NET-42-43-24	DALI Dimmer Switch
--------------	--------------------

**NET LED Lighting**

Buckingham Business Park, 300 Anderson Road,  
Swavesey, Cambridge, CB24 4UQ

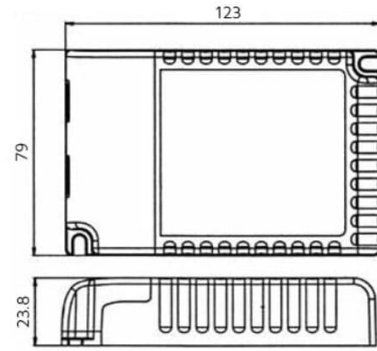
T: 01223 851505 | [sales@netled.co.uk](mailto:sales@netled.co.uk) | [www.netled.co.uk](http://www.netled.co.uk)



**ORDER BY 6PM**  
FOR NEXT DAY DELIVERY

## Technical Specifications

<b>Input Voltage (AC)</b>	220-240V
<b>Power Factor</b>	>0.9 at 230V AC (full load)
<b>Driver Manufacturer</b>	Kreat
<b>Driver Output Voltage (DC)</b>	68
<b>Dimmable</b>	Yes
<b>Operating Temp.</b>	-25°C to +50°C
<b>Weight</b>	0.24Kg
<b>Manufacturer</b>	Kreat
<b>AC Current</b>	0.25A Max
<b>Output Current</b>	700mA (6-58V) / 800mA (6-50V) / 900mA (6-45V) / 950mA (6-42V) / 1050mA (6-38V) / 1200mA (6-33V)
<b>Output Power</b>	40W
<b>Output Voltage</b>	68Vdc
<b>Housing Colour</b>	White
<b>Housing Material</b>	Polycarbonate
<b>Dimming Input Type</b>	Push Dimming, DALI 2, 1-10V



All dimensions in mm

## Other Options

Description	
NET-42-43-26	Merrytek Dimming Driver up to 10W
NET-42-43-14	Merrytek Dimming Driver up to 20W
NET-42-43-17	Kreat Dimming Driver up to 40W
NET-42-43-18	Merrytek Dimming Driver up to 60W

## NET LED Lighting

Buckingham Business Park, 300 Anderson Road,  
Swavesey, Cambridge, CB24 4UQ



**ORDER BY 6PM**  
FOR NEXT DAY DELIVERY