

2-IN-1 MOTION AND PHOTOCELL SENSOR FOR RAMSEY MARINE GRADE FLOOD

NET-42-04-39



Features & Benefits

- Max. 8m detection distance
- 2-100lux
- Combines motion detection with photocell technology for intelligent lighting control
- Flood lights turn on when motion is detected and adjusts based on ambient light levels
- Reduces energy waste
- Quick and easy plug'n'play installation

Key Data

IP Rating	IP65
Dimensions	70 x 63 x 35mm
Warranty	3 Years

NET LED Lighting

Buckingway Business Park, 300 Anderson Road,
Swavesey, Cambridge, CB24 4UQ

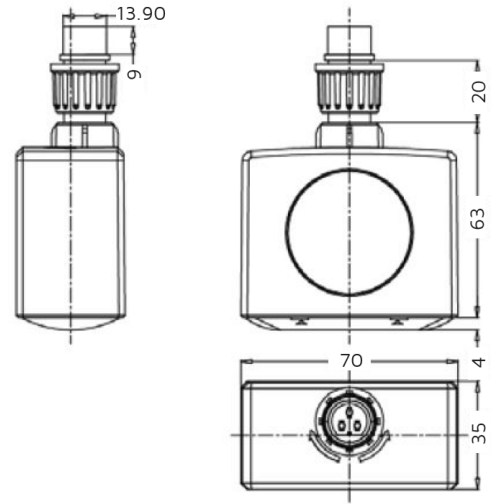
T: 01223 851505 | sales@netled.co.uk | www.netled.co.uk



ORDER BY 6PM
FOR NEXT DAY DELIVERY

Technical Specifications

Input Voltage (AC)	220-240V
Operating Temp.	-15°C to +45°C
Manufacturer	Merrytek
Lux Levels	2-100lux or Disabled
Max. Detection Distance	6m
Max. Load	400W
Power Frequency	50/60Hz
Housing Colour	Black
Housing Material	Polycarbonate
Detection Angle	150°
Duration	5sec - 30min



Other Options

Description	
NET-42-04-39	2-in-1 Motion and Photocell Sensor for Ramsey Marine Grade Flood Lights

NET LED Lighting

Buckingham Business Park, 300 Anderson Road,
Swavesey, Cambridge, CB24 4UQ



ORDER BY 6PM
FOR NEXT DAY DELIVERY

T: 01223 851505 | sales@netled.co.uk | www.netled.co.uk