

HILTON NCF TRI-COLOUR 1200MM (4FT) 24W/40W STEP DIMMING MICROWAVE

NET-41-12-29



Features & Benefits

- 3H Emergency function
- Step Dimming function
- Microwave Sensor ensures the light only comes on when movement is detected
- Flicker-free, 0-10V dimmable driver as standard
- Selectable power setting 24W or 40W
- Selectable colour temperature 3000K, 4000K or 5700K

Key Data

Power	24W/40W
Luminous Flux	3120lm/5200lm
Colour Temperature	3000K/4000K/5700K
IP Rating	IP65
IK Rating	IK08
Dimensions	1240 x 100 x 85mm
Warranty	5 Years (Registration Required)

Compatible Accessories

NET-46-16-04	Universal LED NCF / Batten Suspension Kit
--------------	---

NET LED Lighting

Buckingham Business Park, 300 Anderson Road,
Swavesey, Cambridge, CB24 4UQ

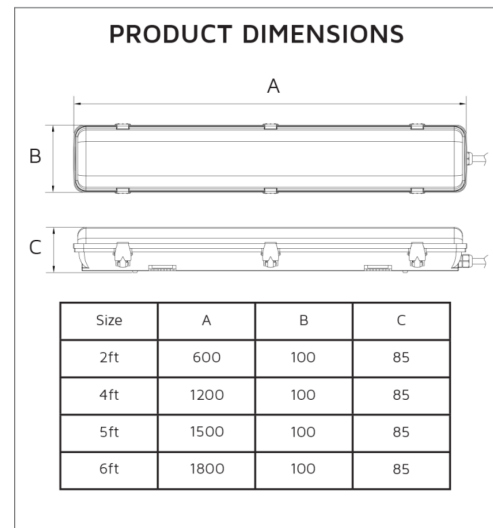
T: 01223 851505 | sales@netled.co.uk | www.netled.co.uk



ORDER BY 6PM
FOR NEXT DAY DELIVERY

Technical Specifications

Input Voltage (AC)	220-240V
Power Factor	>0.90
Luminaire Efficacy	130lm/w
LED Manufacturer	Jingrui
LED Type	SMD 2835
No. of LEDs	240
Driver Manufacturer	BOKE
Driver Output Voltage (DC)	24-42V
Total Circuit Power (W)	24W/40W
Electrical Class	1
Colour Rendering	>80 CRI
Lamp Viewing Angle	120°
Dimmable	Yes
Flicker-Free	Yes
Operating Temp.	0°C to +45°C
Lifespan LM80	50,000 Hours
UGR Rating	More than 22
Manufacturer	Senselight
Fire Rating	V2
Hours Maintained	3H
Max. Detection Distance	15m
Self Test	No
Housing Colour	Grey
Housing Material	Polycarbonate
Battery Pack	LiFePO4
Diffuser Material	Polycarbonate
Dimming Input Type	Step Dimming
Dimming Range	0-100%
Duration	10s-30min
Emergency Kit	3 Year Warranty
Emergency Operation	>3H
Emergency Pack	Streamer
Max. Detection Area	15m
Sensor Manufacturer	Merrytek
Sensor IP Rating	IP65
Standby Dimming Level	10%, 20%, 30% or 50%



Other Options

Description	
NET-41-11-03	Hilton NCF Tri-Colour 1200mm (4ft) 24W/40W Standard
NET-41-12-03	Hilton NCF Tri-Colour 1200mm (4ft) 24W/40W Emergency
NET-41-12-04	Hilton NCF Tri-Colour 1200mm (4ft) 24W/40W Self Test Emergency
NET-41-11-20	Hilton NCF Tri-Colour 1200mm (4ft) 40W Dimmable one4all
NET-41-12-09	Hilton NCF Tri-Colour 1200mm (4ft) 40W Dimmable Emergency
NET-41-12-20	Hilton NCF Tri-Colour 1200mm (4ft) 40W Dimmable DALI Emergency
NET-41-11-28	Hilton NCF Tri-Colour 1200mm (4ft) 24W/40W Step Dimming PIR Sensor
NET-41-12-28	Hilton NCF Tri-Colour 1200mm (4ft) 24W/40W Step Dimming PIR Sensor Emergency
NET-41-11-29	Hilton NCF Tri-Colour 1200mm (4ft) 24W/40W Step Dimming Microwave Sensor
NET-41-12-29	Hilton NCF Tri-Colour 1200mm (4ft) 24W/40W Step Dimming Microwave Sensor Emergency

NET LED Lighting

Buckingham Business Park, 300 Anderson Road,
Swavesey, Cambridge, CB24 4UQ



ORDER BY 6PM
FOR NEXT DAY DELIVERY

T: 01223 851505 | sales@netled.co.uk | www.netled.co.uk

Up to
140
lm/W

COMBINED DIFFUSER AND LEDS

Stop juggling multiple parts when installing with a diffuser that comes with built-in LEDs

PUSH CONNECTOR

Reduce installation time with easy-to-use push fit terminals

FLICKER-FREE TRIDONIC DRIVER

Ensure reliability, durability and performance leading to long-lasting LEDs

IP65 AND IK08 RATED HOUSING

Protect your fitting from water, dust and impact

TAMPER-PROOF FIXINGS

Prevent unwanted removal or tampering

NEW

MANUAL OR SELF TEST EMERGENCY SELECTABLE

Choose between manual emergency or self test emergency at the time of installation

Emergency options only

