

**HILTON NCF TRI-COLOUR 1200MM (4FT) 40W DIMMABLE DALI EMERGENCY**

NET-41-12-20


**Features & Benefits**

- DALI Addressable 3H Emergency function
- one4all Dimming - DALI 1 & 2 and switchDIM (Push)
- Flicker-free, Tridonic dimmable driver as standard
- Selectable colour temperature 3000K, 4000K or 5700K
- Diffuser comes with built-in LEDs
- Tamper-proof fixings

**Key Data**

|                           |                                 |
|---------------------------|---------------------------------|
| <b>Power</b>              | 40W                             |
| <b>Luminous Flux</b>      | 5200lm                          |
| <b>Colour Temperature</b> | 3000K/4000K/5700K               |
| <b>IP Rating</b>          | IP65                            |
| <b>IK Rating</b>          | IK08                            |
| <b>Dimensions</b>         | 1240 x 100 x 85mm               |
| <b>Warranty</b>           | 5 Years (Registration Required) |

**Compatible Accessories**

|              |   |
|--------------|---|
| NET-42-43-38 | Merrytek Microwave Sensor IP65 20mm Knock Out |
| NET-46-16-04 | Universal LED NCF / Batten Suspension Kit     |
| NET-42-43-24 | DALI Dimmer Switch                            |
| NET-51-11-01 | PIR Sensor (External) for Battens and NCFs    |

**NET LED Lighting**

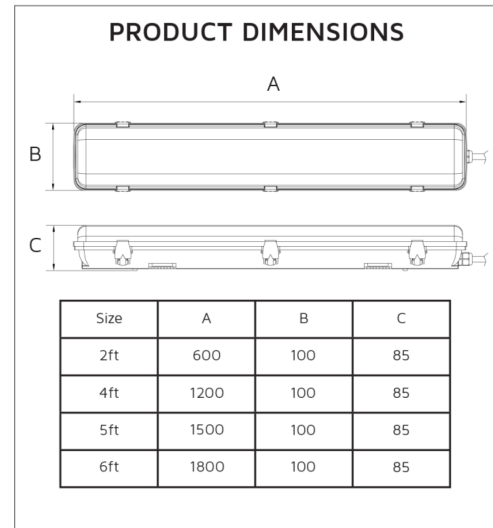
 Buckingham Business Park, 300 Anderson Road,  
 Swavesey, Cambridge, CB24 4UQ

T: 01223 851505 | sales@netled.co.uk | www.netled.co.uk


**ORDER BY 6PM**  
 FOR NEXT DAY DELIVERY

## Technical Specifications

|                            |  |
|----------------------------|--|
| Input Voltage (AC)         | 220-240V   |
| Power Factor               | >0.90  |
| Luminaire Efficacy         | 130lm/W  |
| LED Manufacturer           | Jingrui  |
| LED Type                   | SMD 2835   |
| No. of LEDs                | 240  |
| Driver Manufacturer        | Tridonic Premium Series                                    |
| Driver Output Voltage (DC) | 24-42V   |
| Total Circuit Power (W)    | 40W  |
| Electrical Class           | 1  |
| Colour Rendering           | >80 CRI  |
| Lamp Viewing Angle         | 120°   |
| Dimmable                   | Yes  |
| Flicker-Free               | Yes  |
| Operating Temp.            | 0°C to +45°C   |
| Lifespan LM80              | 50,000 Hours   |
| UGR Rating                 | More than 22   |
| Weight                     | 1.700Kg  |
| Manufacturer               | Senselight   |
| Fire Rating                | V2   |
| Hours Maintained           | 3H   |
| Luminous Flux Factor       | 7.5%   |
| Self Test                  | No   |
| Housing Colour             | Grey   |
| Housing Material           | Polycarbonate  |
| Battery Pack               | LiFePO4 3.2V 4.5Ah   |
| Diffuser Material          | Polycarbonate  |
| Dimming Input Type         | Tridonic one4all Dimming - DALI 1 & 2 and switchDIM (Push) |
| Emergency Kit              | 3 Year Warranty  |
| Emergency Operation        | >3H  |
| Emergency Pack             | DALI Addressable   |



## Other Options

| Description  |  |
|--------------|--|
| NET-41-11-03 | Hilton NCF Tri-Colour 1200mm (4ft) 24W/40W Standard                                |
| NET-41-12-03 | Hilton NCF Tri-Colour 1200mm (4ft) 24W/40W Emergency                               |
| NET-41-12-04 | Hilton NCF Tri-Colour 1200mm (4ft) 24W/40W Self Test Emergency                     |
| NET-41-11-20 | Hilton NCF Tri-Colour 1200mm (4ft) 40W Dimmable one4all                            |
| NET-41-12-09 | Hilton NCF Tri-Colour 1200mm (4ft) 40W Dimmable Emergency                          |
| NET-41-12-20 | Hilton NCF Tri-Colour 1200mm (4ft) 40W Dimmable DALI Emergency                     |
| NET-41-11-28 | Hilton NCF Tri-Colour 1200mm (4ft) 24W/40W Step Dimming PIR Sensor                 |
| NET-41-12-28 | Hilton NCF Tri-Colour 1200mm (4ft) 24W/40W Step Dimming PIR Sensor Emergency       |
| NET-41-11-29 | Hilton NCF Tri-Colour 1200mm (4ft) 24W/40W Step Dimming Microwave Sensor           |
| NET-41-12-29 | Hilton NCF Tri-Colour 1200mm (4ft) 24W/40W Step Dimming Microwave Sensor Emergency |

## NET LED Lighting

Buckingham Business Park, 300 Anderson Road,  
Swavesey, Cambridge, CB24 4UQ



**ORDER BY 6PM**  
FOR NEXT DAY DELIVERY

Up to  
**140**  
lm/W

## COMBINED DIFFUSER AND LEDS

Stop juggling multiple parts when installing with a diffuser that comes with built-in LEDs

## PUSH CONNECTOR

Reduce installation time with easy-to-use push fit terminals

## FLICKER-FREE TRIDONIC DRIVER

Ensure reliability, durability and performance leading to long-lasting LEDs

## IP65 AND IK08 RATED HOUSING

Protect your fitting from water, dust and impact

## TAMPER-PROOF FIXINGS

Prevent unwanted removal or tampering

**NEW**

## MANUAL OR SELF TEST EMERGENCY SELECTABLE

Choose between manual emergency or self test emergency at the time of installation

*Emergency options only*

