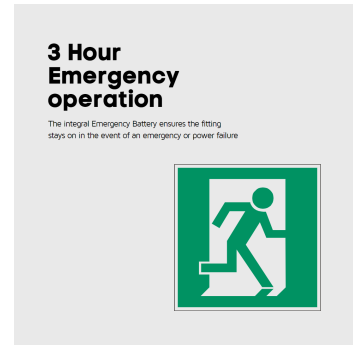
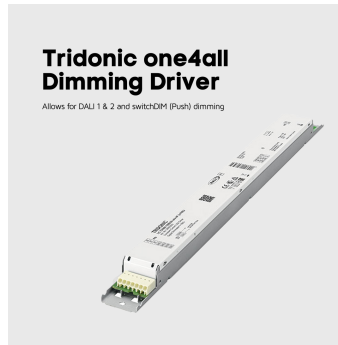


## HILTON NCF TRI-COLOUR 1500MM (5FT) 60W DIMMABLE EMERGENCY

NET-41-12-12



### Features & Benefits

- 3H Emergency function
- one4all Dimming - DALI 1 & 2 and switchDIM (Push)
- Flicker-free, Tridonic dimmable driver as standard
- Selectable colour temperature 3000K, 4000K or 5700K
- Diffuser comes with built-in LEDs
- Tamper-proof fixings

### Key Data

<b>Power</b>	60W
<b>Luminous Flux</b>	7800lm
<b>Colour Temperature</b>	3000K/4000K/5700K
<b>IP Rating</b>	IP65
<b>IK Rating</b>	IK08
<b>Dimensions</b>	1540 x 100 x 85mm
<b>Warranty</b>	5 Years (Registration Required)

### Compatible Accessories

NET-42-43-38	Merrytek Microwave Sensor IP65 20mm Knock Out
NET-46-16-04	Universal LED NCF / Batten Suspension Kit
NET-42-43-24	DALI Dimmer Switch
NET-51-11-01	PIR Sensor (External) for Battens and NCFs

### NET LED Lighting

Buckingham Business Park, 300 Anderson Road,  
Swavesey, Cambridge, CB24 4UQ

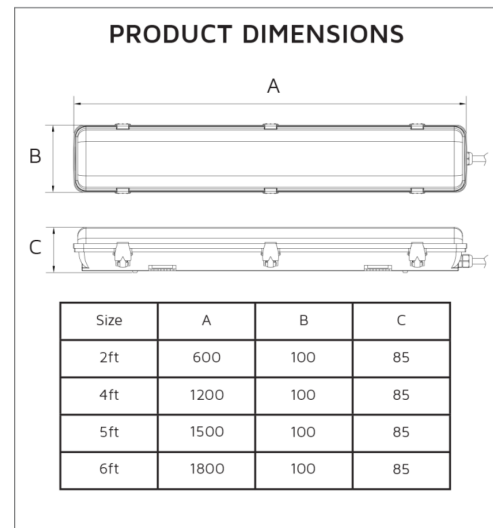
T: 01223 851505 | [sales@netled.co.uk](mailto:sales@netled.co.uk) | [www.netled.co.uk](http://www.netled.co.uk)



**ORDER BY 6PM**  
FOR NEXT DAY DELIVERY

## Technical Specifications

<b>Input Voltage (AC)</b>	220-240V
<b>Power Factor</b>	>0.90
<b>Luminaire Efficacy</b>	130lm/W
<b>LED Manufacturer</b>	Jingrui
<b>LED Type</b>	SMD 2835
<b>No. of LEDs</b>	360
<b>Driver Manufacturer</b>	Tridonic Premium Series
<b>Driver Output Voltage (DC)</b>	24-42V
<b>Total Circuit Power (W)</b>	60W
<b>Electrical Class</b>	1
<b>Colour Rendering</b>	>80 CRI
<b>Lamp Viewing Angle</b>	120°
<b>Dimmable</b>	Yes
<b>Flicker-Free</b>	Yes
<b>Operating Temp.</b>	0°C to +45°C
<b>Lifespan LM80</b>	50,000 Hours
<b>UGR Rating</b>	More than 22
<b>Weight</b>	2.220Kg
<b>Manufacturer</b>	Senselight
<b>Fire Rating</b>	V2
<b>Hours Maintained</b>	3H
<b>Self Test</b>	No
<b>Housing Colour</b>	Grey
<b>Housing Material</b>	Polycarbonate
<b>Battery Pack</b>	LiFePO4
<b>Diffuser Material</b>	Polycarbonate
<b>Dimming Input Type</b>	Tridonic one4all Dimming - DALI 1 & 2 and switchDIM (Push)
<b>Emergency Kit</b>	3 Year Warranty
<b>Emergency Operation</b>	>3H
<b>Emergency Pack</b>	Streamer



## Other Options

Description	
NET-41-11-05	Hilton NCF Tri-Colour 1500mm (5ft) 48W/60W Standard
NET-41-12-05	Hilton NCF Tri-Colour 1500mm (5ft) 48W/60W Emergency
NET-41-12-06	Hilton NCF Tri-Colour 1500mm (5ft) 48W/60W Self Test Emergency
NET-41-11-12	Hilton NCF Tri-Colour 1500mm (5ft) 60W Dimmable one4all
NET-41-12-12	Hilton NCF Tri-Colour 1500mm (5ft) 60W Dimmable Emergency
NET-41-11-90	Hilton NCF Tri-Colour 1500mm (5ft) 60W Dimmable DALI Emergency
NET-41-11-60	Hilton NCF Tri-Colour 1500mm (5ft) 48W/60W Step Dimming PIR Sensor
NET-41-12-60	Hilton NCF Tri-Colour 1500mm (5ft) 48W/60W Step Dimming PIR Sensor Emergency

## NET LED Lighting

Buckingham Business Park, 300 Anderson Road,  
Swavesey, Cambridge, CB24 4UQ



**ORDER BY 6PM**  
FOR NEXT DAY DELIVERY

Up to  
**140**  
lm/W

## COMBINED DIFFUSER AND LEDS

Stop juggling multiple parts when installing with a diffuser that comes with built-in LEDs

## PUSH CONNECTOR

Reduce installation time with easy-to-use push fit terminals

## FLICKER-FREE TRIDONIC DRIVER

Ensure reliability, durability and performance leading to long-lasting LEDs

## IP65 AND IK08 RATED HOUSING

Protect your fitting from water, dust and impact

## TAMPER-PROOF FIXINGS

Prevent unwanted removal or tampering

**NEW**

## MANUAL OR SELF TEST EMERGENCY SELECTABLE

Choose between manual emergency or self test emergency at the time of installation

*Emergency options only*

