

HILTON NCF TRI-COLOUR 1200MM (4FT) 24W/40W EMERGENCY

NET-41-12-03



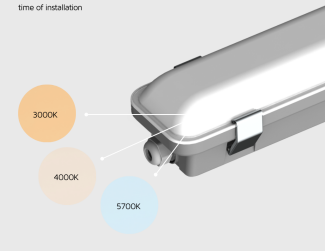
3 Hour Emergency operation

The integral Emergency Battery ensures the fitting stays on in the event of an emergency or power failure



Tri-Colour

Choose your colour temperature (3000K, 4000K or 5700K) at the time of installation



Features & Benefits

- 3H Emergency function
- Flicker-free, 0-10V dimmable driver as standard
- Selectable power setting 24W or 40W
- Selectable colour temperature 3000K, 4000K or 5700K
- Diffuser comes with built-in LEDs
- Tamper-proof fixings

Key Data

| | |
|---------------------------|---------------------------------|
| Power | 24W/40W |
| Luminous Flux | 3120lm/5200lm |
| Colour Temperature | 3000K/4000K/5700K |
| IP Rating | IP65 |
| IK Rating | IK08 |
| Dimensions | 1240 x 100 x 85mm |
| Warranty | 5 Years (Registration Required) |

Compatible Accessories

| | |
|--------------|---|
| NET-42-43-33 | Merrytek Microwave Sensor IP65 with Standby Function (External) |
| NET-42-43-38 | Merrytek Microwave Sensor IP65 20mm Knock Out |
| NET-46-16-04 | Universal LED NCF / Batten Suspension Kit |
| NET-51-11-01 | PIR Sensor (External) for Battens and NCFs |
| NET-51-11-03 | On/Off Step Dimming Sensor (External) for Battens and NCFs |

NET LED Lighting

Buckingham Business Park, 300 Anderson Road,
Swavesey, Cambridge, CB24 4UQ

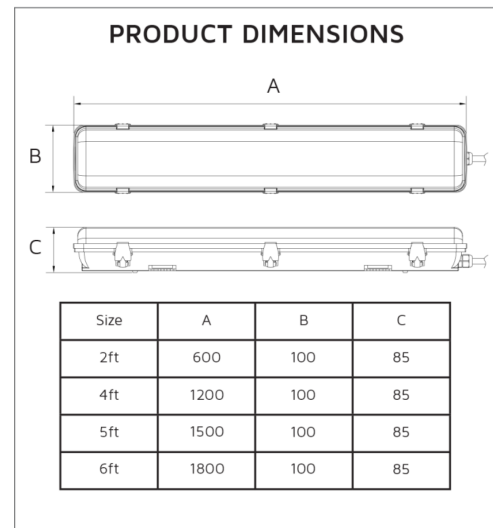
T: 01223 851505 | sales@netled.co.uk | www.netled.co.uk



ORDER BY 6PM
FOR NEXT DAY DELIVERY

Technical Specifications

| | |
|----------------------------|-------------------|
| Input Voltage (AC) | 220-240V |
| Power Factor | >0.90 |
| Luminaire Efficacy | 130lm/W |
| LED Manufacturer | Jingrui |
| LED Type | SMD 2835 |
| No. of LEDs | 240 |
| Driver Manufacturer | BOKE |
| Driver Output Voltage (DC) | 24-42V |
| Total Circuit Power (W) | 24W/40W |
| Electrical Class | 1 |
| Colour Rendering | >80 CRI |
| Lamp Viewing Angle | 120° |
| Dimmable | No |
| Flicker-Free | Yes |
| Operating Temp. | 0°C to +45°C |
| Lifespan LM80 | 50,000 Hours |
| UGR Rating | More than 22 |
| Weight | 1.700Kg |
| Manufacturer | Senselight |
| Fire Rating | V2 |
| Hours Maintained | 3H |
| Self Test | No |
| Housing Colour | Grey |
| Housing Material | Polycarbonate |
| Battery Pack | LiFePO4 |
| Diffuser Material | Polycarbonate |
| Dimming Input Type | 0-10V as Standard |
| Emergency Kit | 3 Year Warranty |
| Emergency Operation | >3H |
| Emergency Pack | Streamer |



Other Options

| Description | |
|--------------|--|
| NET-41-11-03 | Hilton NCF Tri-Colour 1200mm (4ft) 24W/40W Standard |
| NET-41-12-03 | Hilton NCF Tri-Colour 1200mm (4ft) 24W/40W Emergency |
| NET-41-12-04 | Hilton NCF Tri-Colour 1200mm (4ft) 24W/40W Self Test Emergency |
| NET-41-11-20 | Hilton NCF Tri-Colour 1200mm (4ft) 40W Dimmable one4all |
| NET-41-12-09 | Hilton NCF Tri-Colour 1200mm (4ft) 40W Dimmable Emergency |
| NET-41-12-20 | Hilton NCF Tri-Colour 1200mm (4ft) 40W Dimmable DALI Emergency |
| NET-41-11-28 | Hilton NCF Tri-Colour 1200mm (4ft) 24W/40W Step Dimming PIR Sensor |
| NET-41-12-28 | Hilton NCF Tri-Colour 1200mm (4ft) 24W/40W Step Dimming PIR Sensor Emergency |
| NET-41-11-29 | Hilton NCF Tri-Colour 1200mm (4ft) 24W/40W Step Dimming Microwave Sensor |
| NET-41-12-29 | Hilton NCF Tri-Colour 1200mm (4ft) 24W/40W Step Dimming Microwave Sensor Emergency |

NET LED Lighting

Buckingham Business Park, 300 Anderson Road,
Swavesey, Cambridge, CB24 4UQ



ORDER BY 6PM
FOR NEXT DAY DELIVERY

Up to
140
lm/W

COMBINED DIFFUSER AND LEDS

Stop juggling multiple parts when installing with a diffuser that comes with built-in LEDs

PUSH CONNECTOR

Reduce installation time with easy-to-use push fit terminals

FLICKER-FREE TRIDONIC DRIVER

Ensure reliability, durability and performance leading to long-lasting LEDs

IP65 AND IK08 RATED HOUSING

Protect your fitting from water, dust and impact

TAMPER-PROOF FIXINGS

Prevent unwanted removal or tampering

NEW

MANUAL OR SELF TEST EMERGENCY SELECTABLE

Choose between manual emergency or self test emergency at the time of installation

Emergency options only

