

HILTON NCF TRI-COLOUR 600MM (2FT) 14W/20W EMERGENCY

NET-41-12-01



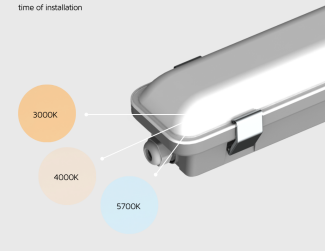
3 Hour Emergency operation

The integral Emergency Battery ensures the fitting stays on in the event of an emergency or power failure



Tri-Colour

Choose your colour temperature (3000K, 4000K or 5700K) at the time of installation



Features & Benefits

- 3H Emergency function
- Flicker-free, 0-10V dimmable driver as standard
- Selectable power setting 14W or 20W
- Selectable colour temperature 3000K, 4000K or 5700K
- Diffuser comes with built-in LEDs
- Tamper-proof fixings

Key Data

Power	14W/20W
Luminous Flux	1820lm/2600lm
Colour Temperature	3000K/4000K/5700K
IP Rating	IP65
IK Rating	IK08
Dimensions	640 x 100 x 85mm
Warranty	5 Years (Registration Required)

Compatible Accessories

NET-42-43-33	Merrytek Microwave Sensor IP65 with Standby Function (External)
NET-42-43-38	Merrytek Microwave Sensor IP65 20mm Knock Out
NET-46-16-04	Universal LED NCF / Batten Suspension Kit
NET-51-11-01	PIR Sensor (External) for Battens and NCFs
NET-51-11-03	On/Off Step Dimming Sensor (External) for Battens and NCFs

NET LED Lighting

Buckingham Business Park, 300 Anderson Road,
Swavesey, Cambridge, CB24 4UQ

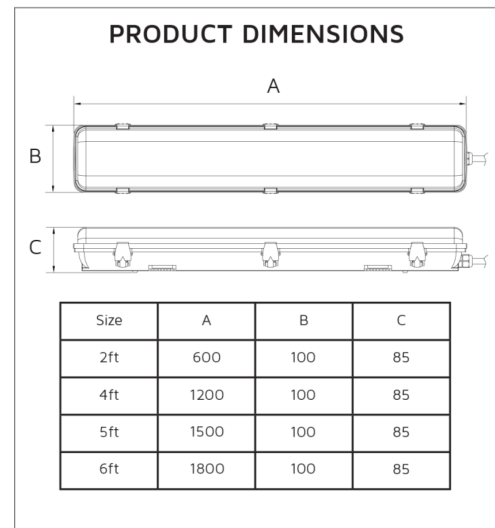
T: 01223 851505 | sales@netled.co.uk | www.netled.co.uk



ORDER BY 6PM
FOR NEXT DAY DELIVERY

Technical Specifications

Input Voltage (AC)	220-240V
Power Factor	>0.90
Luminaire Efficacy	130lm/W
LED Manufacturer	Jingrui
LED Type	SMD 2835
No. of LEDs	120
Driver Manufacturer	BOKE
Driver Output Voltage (DC)	24-42V
Total Circuit Power (W)	14W/20W
Electrical Class	1
Colour Rendering	>80 CRI
Lamp Viewing Angle	120°
Dimmable	Yes
Flicker-Free	Yes
Operating Temp.	0°C to +45°C
Lifespan LM80	50,000 Hours
UGR Rating	More than 22
Weight	1.030Kg
Manufacturer	Senselight
Fire Rating	V2
Hours Maintained	3H
Self Test	No
Housing Colour	Grey
Housing Material	Polycarbonate
Battery Pack	LiFePO4
Diffuser Material	Polycarbonate
Dimming Input Type	0-10V as Standard
Emergency Kit	3 Year Warranty
Emergency Operation	>3H
Emergency Pack	Streamer



Other Options

Description	
NET-41-11-01	Hilton NCF Tri-Colour 600mm (2ft) 14W/20W Standard
NET-41-12-01	Hilton NCF Tri-Colour 600mm (2ft) 14W/20W Emergency
NET-41-11-02	Hilton NCF Tri-Colour 600mm (2ft) 14W/20W Step Dimming PIR Sensor
NET-41-11-04	Hilton NCF Tri-Colour 600mm (2ft) 14W/20W Step Dimming PIR Sensor Emergency
NET-41-11-19	Hilton NCF Tri-Colour 600mm (2ft) 14W/20W Step Dimming Microwave Sensor
NET-41-11-22	Hilton NCF Tri-Colour 600mm (2ft) 14W/20W Step Dimming Microwave Sensor Emergency

NET LED Lighting

Buckingham Business Park, 300 Anderson Road,
Swavesey, Cambridge, CB24 4UQ



ORDER BY 6PM
FOR NEXT DAY DELIVERY

Up to
140
lm/W

COMBINED DIFFUSER AND LEDS

Stop juggling multiple parts when installing with a diffuser that comes with built-in LEDs

PUSH CONNECTOR

Reduce installation time with easy-to-use push fit terminals

FLICKER-FREE TRIDONIC DRIVER

Ensure reliability, durability and performance leading to long-lasting LEDs

IP65 AND IK08 RATED HOUSING

Protect your fitting from water, dust and impact

TAMPER-PROOF FIXINGS

Prevent unwanted removal or tampering

NEW

MANUAL OR SELF TEST EMERGENCY SELECTABLE

Choose between manual emergency or self test emergency at the time of installation

Emergency options only

