

HILTON NCF TRI-COLOUR 1500MM (5FT) 35W/60W STEP DIMMING MICROWAVE

NET-41-11-66



STEP Dimming function

Adjust the light output in steps 0, 10 or 30% Standby Dimming Level



Integral Microwave and Daylight Sensor

Ensures the fitting only comes on when insufficient light and movement are detected



Features & Benefits

- Integral Microwave and Daylight Sensor ensures the fitting only comes on when insufficient light and movement are detected
- STEP Dimming function - 0, 10 or 30%
- Selectable power setting 35W or 60W
- Selectable colour temperature 3000K, 4000K or 5700K
- Diffuser comes with built-in LEDs
- Tamper-proof fixings

Key Data

| | |
|---------------------------|---------------------------------|
| Power | 35W/60W |
| Luminous Flux | 4500lm/7800lm |
| Colour Temperature | 3000K/4000K/5700K |
| IP Rating | IP65 |
| IK Rating | IK08 |
| Dimensions | 1540 x 100 x 85mm |
| Warranty | 5 Years (Registration Required) |

Compatible Accessories

| | |
|--------------|---|
| NET-61-33-04 | DALI Emergency Kit 3W/6W |
| NET-46-16-04 | Universal LED NCF / Batten Suspension Kit |

NET LED Lighting

Buckingham Business Park, 300 Anderson Road,
Swavesey, Cambridge, CB24 4UQ

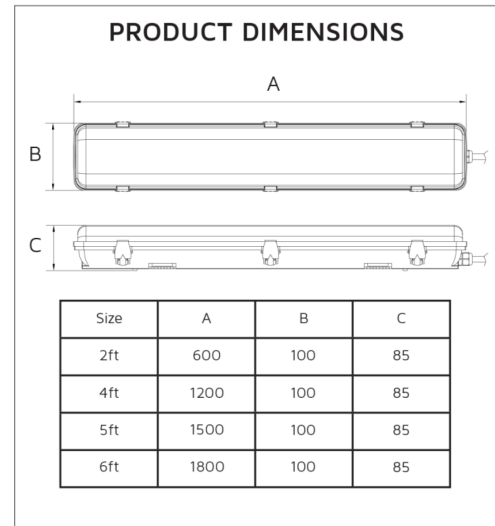
T: 01223 851505 | sales@netled.co.uk | www.netled.co.uk



ORDER BY 6PM
FOR NEXT DAY DELIVERY

Technical Specifications

| | |
|----------------------------|--------------------------------|
| Input Voltage (AC) | 220-240V |
| Power Factor | >0.90 |
| Luminaire Efficacy | 130lm/W |
| LED Manufacturer | Jingrui |
| LED Type | SMD 2835 |
| No. of LEDs | 360 |
| Driver Manufacturer | Merrytek |
| Driver Output Voltage (DC) | 30-54V |
| Total Circuit Power (W) | 35W/60W |
| Electrical Class | 1 |
| Colour Rendering | >80 CRI |
| Lamp Viewing Angle | 120° |
| Dimmable | Yes |
| Flicker-Free | Yes |
| Operating Temp. | 0°C to +45°C |
| Lifespan LM80 | 50,000 Hours |
| UGR Rating | More than 22 |
| Weight | 2.220Kg |
| Manufacturer | Senselight |
| Fire Rating | V2 |
| Lux Levels | 30lux/50lux/100lux or Disabled |
| Max. Detection Distance | 2.5m |
| Housing Colour | Grey |
| Housing Material | Polycarbonate |
| Diffuser Material | Polycarbonate |
| Dimming Input Type | Step Dimming |
| Dimming Range | 0-100% |
| Duration | 5s-30min |
| Max. Detection Area | 6m |
| Sensor Manufacturer | Merrytek |
| Sensor IP Rating | IP20 |
| Standby Dimming Level | 0%, 10% or 30% |



Other Options


| Description | |
|--------------|--|
| NET-41-11-66 | Hilton NCF Tri-Colour 1500mm (5ft) 35W/60W Step Dimming Microwave Sensor |
| NET-41-12-66 | Hilton NCF Tri-Colour 1500mm (5ft) 35W/60W Step Dimming Microwave Sensor Emergency |

NET LED Lighting

Buckingham Business Park, 300 Anderson Road,
Swavesey, Cambridge, CB24 4UQ



ORDER BY 6PM
FOR NEXT DAY DELIVERY



Comes with
Integral 2-In-1
Microwave and
Daylight sensor

Step Dimming Tri-Colour Dual Wattage LED NCFs

Integral Microwave **and** Daylight Sensor ensures the fitting only comes on when insufficient light and movement are detected.

Its 0, 10 or 30% Standby Mode provides a lower lighting level when full brightness isn't necessary, providing visibility and safety whilst minimising energy consumption.

| Part Number | Description | Dimensions | Power | Lumens | Colour Temp. |
|--------------|---|-------------------------|---------|---------------|-------------------|
| NET-41-11-66 | Step Dimming Microwave Sensor | 1540 x 100 x 85mm (5ft) | 34W/60W | 4420lm/7800lm | 3000K/4000K/5700K |
| NET-41-12-66 | Step Dimming Microwave Sensor Emergency | | | | |