

BLACK RING FOR SHELFORD SLIM BULKHEADS

NET-41-06-12



Key Data

Dimensions

Ø320 x 40mm

NET LED Lighting

Buckingway Business Park, 300 Anderson Road,
Swavesey, Cambridge, CB24 4UQ

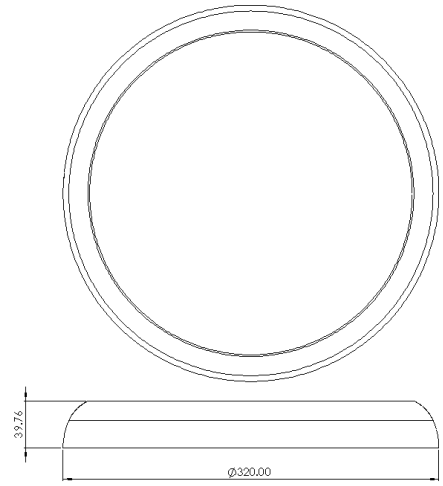
T: 01223 851505 | sales@netled.co.uk | www.netled.co.uk



ORDER BY 6PM
FOR NEXT DAY DELIVERY

Technical Specifications

| | |
|------------------|--------------------|
| Manufacturer | Senselite Co. Ltd. |
| Housing Colour | Black |
| Housing Material | ABS |



Other Options

| Description | |
|--------------|---|
| NET-41-06-10 | Chrome Ring for Shelford Slim Bulkheads |
| NET-41-06-12 | Black Ring for Shelford Slim Bulkheads |

NET LED Lighting

Buckingham Business Park, 300 Anderson Road,
Swavesey, Cambridge, CB24 4UQ



ORDER BY 6PM
FOR NEXT DAY DELIVERY

T: 01223 851505 | sales@netled.co.uk | www.netled.co.uk