

CHROME RING FOR SHELFORD SLIM BULKHEADS

NET-41-06-10



**Key Data**

**Dimensions**

Ø320 x 40mm

**NET LED Lighting**

Buckingway Business Park, 300 Anderson Road,  
Swavesey, Cambridge, CB24 4UQ

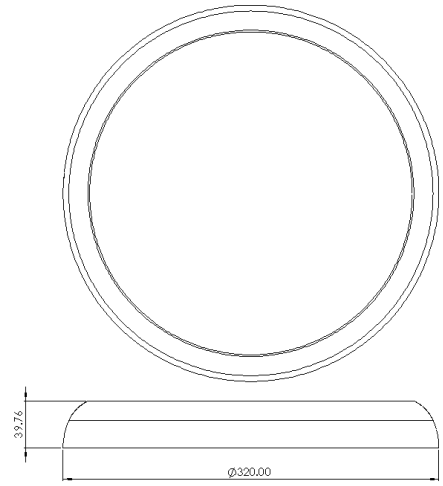
T: 01223 851505 | [sales@netled.co.uk](mailto:sales@netled.co.uk) | [www.netled.co.uk](http://www.netled.co.uk)



**ORDER BY 6PM**  
FOR NEXT DAY DELIVERY

## Technical Specifications

Manufacturer	Senselite Co. Ltd.
Housing Colour	Chrome
Housing Material	ABS



## Other Options

Description	
NET-41-06-10	Chrome Ring for Shelford Slim Bulkheads
NET-41-06-12	Black Ring for Shelford Slim Bulkheads

## NET LED Lighting

Buckingham Business Park, 300 Anderson Road,  
Swavesey, Cambridge, CB24 4UQ



**ORDER BY 6PM**  
FOR NEXT DAY DELIVERY

T: 01223 851505 | [sales@netled.co.uk](mailto:sales@netled.co.uk) | [www.netled.co.uk](http://www.netled.co.uk)