

LG GU10 LED LAMP 4.3W 2700K

NET-40-07-02



**Key Data**

<b>Power</b>	4.3W
<b>Dimensions</b>	Ø51 x 56mm

**NET LED Lighting**

Buckingham Business Park, 300 Anderson Road,  
Swavesey, Cambridge, CB24 4UQ

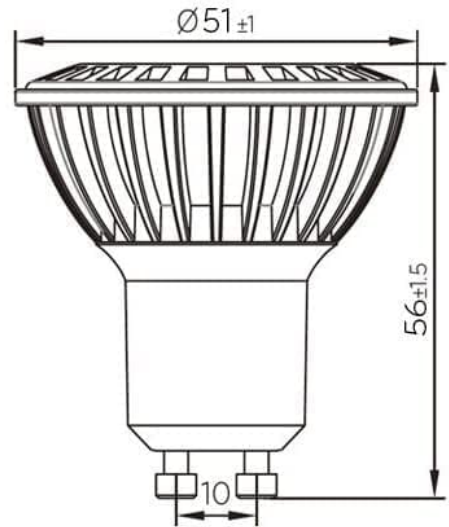
T: 01223 851505 | [sales@netled.co.uk](mailto:sales@netled.co.uk) | [www.netled.co.uk](http://www.netled.co.uk)



**ORDER BY 6PM**  
FOR NEXT DAY DELIVERY

## Technical Specifications

Input Voltage (AC)	220-240V
Total Circuit Power (W)	4.3W
Weight	0.04Kg
Housing Colour	Silver



## Other Options

Description	
NET-40-07-02	LG GU10 LED Lamp 4.3W 2700K

### NET LED Lighting

Buckingham Business Park, 300 Anderson Road,  
Swavesey, Cambridge, CB24 4UQ

T: 01223 851505 | [sales@netled.co.uk](mailto:sales@netled.co.uk) | [www.netled.co.uk](http://www.netled.co.uk)



**ORDER BY 6PM**  
FOR NEXT DAY DELIVERY