

BURGESS Z CLIPS

NET-39-16-03



Key Data

Dimensions

42.4 x 30mm

Warranty

3 Years

NET LED Lighting

Buckingway Business Park, 300 Anderson Road,
Swavesey, Cambridge, CB24 4UQ

T: 01223 851505 | sales@netled.co.uk | www.netled.co.uk

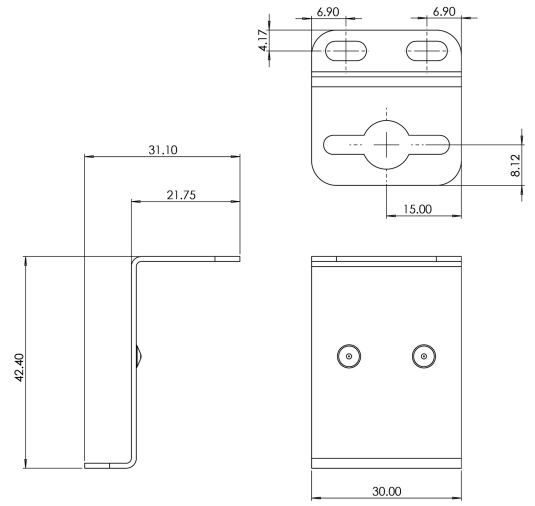


ORDER BY 6PM

FOR NEXT DAY DELIVERY

Technical Specifications

Manufacturer Lumlux Corp.
Product Fixing Method Pull Up



Other Options

	Description
NET-39-16-03	Burgess Z Clips

NET LED Lighting

Buckingway Business Park, 300 Anderson Road,
Swavesey, Cambridge, CB24 4UQ

T: 01223 851505 | sales@netled.co.uk | www.netled.co.uk



ORDER BY 6PM
FOR NEXT DAY DELIVERY