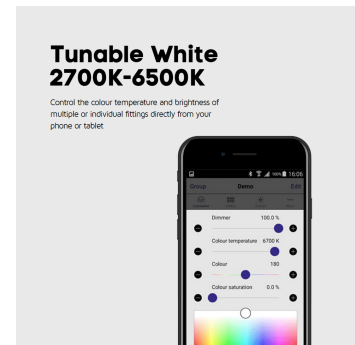
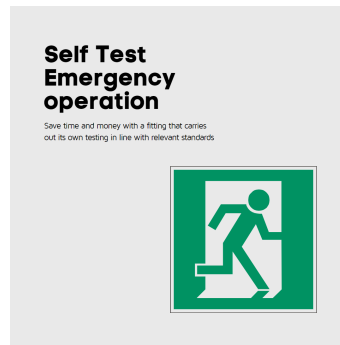


**KINGSTON PANEL UGR<19 TUNABLE WHITE 600X600 2700K-6500K 30W TP(A) SELF
NET-39-03-59**



Key Data

Power	30W
Luminous Flux	3300lm
Colour Temperature	Tunable 2700K-6500K
IP Rating	IP40 Front/IP20 Rear
Dimensions	595 x 595 x 10mm
Warranty	5 Years (Registration Required)

Compatible Accessories

NET-39-16-01	Recess Clips (set of 4)
NET-46-16-02	Universal LED Panel Suspension Kit
NET-39-03-47	Panel Recessed Frame 600x600mm
NET-60-16-80	Tridonic Bluetooth Multifunction Dimmable/Scene Switch
NET-39-03-39	Panel Surface Box 600x600mm

NET LED Lighting

Buckingham Business Park, 300 Anderson Road,
Swavesey, Cambridge, CB24 4UQ

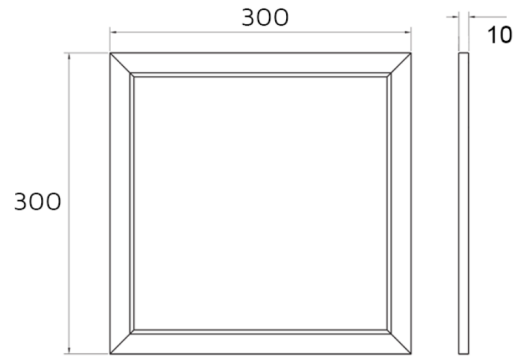
T: 01223 851505 | sales@netled.co.uk | www.netled.co.uk



ORDER BY 6PM
FOR NEXT DAY DELIVERY

Technical Specifications

Input Voltage (AC)	220-240V
Power Factor	>0.95
Luminaire Efficacy	122lm/W
LED Manufacturer	JUFEI
LED Type	SMD 4014
No. of LEDs	240
Driver Manufacturer	Tridonic
Driver Output Voltage (DC)	33-42V
Total Circuit Power (W)	30W
Electrical Class	3
Colour Rendering	>80 CRI
Lamp Viewing Angle	95°
Dimmable	Yes
Flicker-Free	Yes
Operating Temp.	0°C to +45°C
Lifespan LM80	50,000 Hours
Diffuser Flammability Rating	TP(a)
UGR Rating	Less than 19
Diffuser/LGP Material	PC/PMMA
Weight	2.9Kg
Manufacturer	Lumlux Corp.
Frame Colour	White
Hours Maintained	3H
Self Test	Yes
Battery Pack	LiFePO4
Dimming Input Type	Bluetooth Tunable
Emergency Kit	3 Year Warranty
Emergency Operation	>3H
Emergency Pack	Fox Lux



Other Options

Description	
NET-39-03-30	Kingston Panel UGR<19 Tunable White 600x600 2700K-6500K 30W TP(a) Standard
NET-39-03-31	Kingston Panel UGR<19 Tunable White 600x600 2700K-6500K 30W TP(a) Emergency
NET-39-03-59	Kingston Panel UGR<19 Tunable White 600x600 2700K-6500K 30W TP(a) Self Test Emergency

NET LED Lighting

Buckingham Business Park, 300 Anderson Road,
Swavesey, Cambridge, CB24 4UQ



ORDER BY 6PM
FOR NEXT DAY DELIVERY

Control the colour temperature and brightness of your lighting directly from your phone or tablet.

Control multiple or individual fittings, or set the scene with pre-set colours and brightness levels.

Simply install our Tunable White Panel, pair it and you're good to go!

2700K - 6500K

Don't forget to download the free App!

Using your phone's camera, scan the QR code to download the Tridonic 4remote BT App!

