

NEWTON WHITE POLYCARBONATE BULKHEAD MULTI-WATTAGE TRI-COLOUR IP65

NET-33-06-77



**Integral
Photocell Sensor**

Save money and energy by ensuring the fitting
only comes on from dusk 'til dawn



**Manual or
self test emergency
function**

Choose between manual or self test emergency
at the time of installation



Features & Benefits

- Manual or self test emergency operation
- Dusk to dawn function
- Choose between 12W, 14W, 16W or 18W at the time of installation
- Selectable colour temperature 3000K, 4000K or 5500K
- Shatterproof polycarbonate diffuser
- Push connector for easy installation

Key Data

| | |
|---------------------------|-----------------------------|
| Power | 12W/14W/16W/18W |
| Luminous Flux | 1200lm/1400lm/1600lm/1800lm |
| Colour Temperature | 3000K/4000K/5500K |
| IP Rating | IP65 |
| IK Rating | IK10 |
| Dimensions | Ø282 x 86.5mm |
| Warranty | 3 Years |

NET LED Lighting

Buckingway Business Park, 300 Anderson Road,
Swavesey, Cambridge, CB24 4UQ

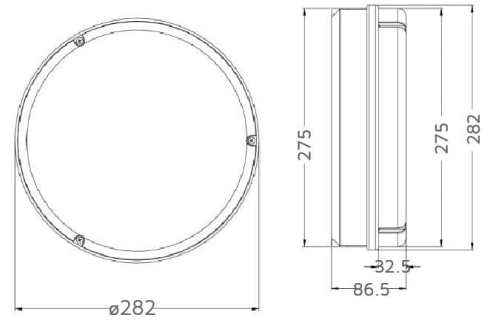
T: 01223 851505 | sales@netled.co.uk | www.netled.co.uk



ORDER BY 6PM
FOR NEXT DAY DELIVERY

Technical Specifications

| | |
|----------------------------|------------------|
| Input Voltage (AC) | 220-240V |
| Power Factor | >0.9 |
| Luminaire Efficacy | 100lm/w |
| LED Manufacturer | Hongliitronic |
| LED Type | SMD 2835 |
| No. of LEDs | 52 |
| Driver Manufacturer | Tridonic |
| Driver Output Voltage (DC) | 36-42V |
| Total Circuit Power (W) | 12W/14W/16W/18W |
| Electrical Class | 1 |
| Colour Rendering | >80 CRI |
| Lamp Viewing Angle | 115° |
| Dimmable | No |
| Operating Temp. | 0°C to +45°C |
| Lifespan LM80 | 35,000 Hours |
| UGR Rating | More than 19 |
| Weight | 1.04Kg |
| Manufacturer | NET LED Lighting |
| Fire Rating | V0 |
| Hours Maintained | 3 Hours |
| Luminous Flux Factor | 5% |
| Lux Levels | 5lux - 400lux |
| Self Test | Selectable |
| Housing Colour | White |
| Housing Material | Polycarbonate |
| Battery Pack | Li-on 3.7V |
| Diffuser Material | Polycarbonate |
| Emergency Kit | 1 Year Warranty |
| Emergency Operation | >3H |
| Emergency Pack | Streamer |
| Sensor IP Rating | IP20 |



Other Options

| Description | |
|--------------|---|
| NET-33-06-52 | Newton White Polycarbonate Bulkhead Multi-Wattage Tri-Colour IP65 Standard |
| NET-33-06-54 | Newton White Polycarbonate Bulkhead Multi-Wattage Tri-Colour IP65 Emergency/Self Test |
| NET-33-06-56 | Newton White Polycarbonate Bulkhead Tri-Colour IP65 16W Microwave Sensor |
| NET-33-06-58 | Newton White Polycarbonate Bulkhead Tri-Colour IP65 16W Microwave Sensor Emergency/Self Test |
| NET-33-06-76 | Newton White Polycarbonate Bulkhead Multi-Wattage Tri-Colour IP65 Photocell |
| NET-33-06-77 | Newton White Polycarbonate Bulkhead Multi-Wattage Tri-Colour IP65 Photocell Emergency/Self Test |

NET LED Lighting

Buckingham Business Park, 300 Anderson Road,
Swavesey, Cambridge, CB24 4UQ



ORDER BY 6PM
FOR NEXT DAY DELIVERY

T: 01223 851505 | sales@netled.co.uk | www.netled.co.uk

3K

4K

5.5K

INTEGRAL MICROWAVE SENSOR

Featuring a 0 or 10% Standby Mode, 2-10m detection range and 5sec to 10min hold time

Microwave Sensor options only

SELECTABLE COLOUR TEMPERATURE

Choose your colour temperature 3000K, 4000K or 5500K

SHATTERPROOF POLYCARBONATE DIFFUSER

Designed to prevent the diffuser shattering into small, indistinct pieces

NEW

MANUAL OR SELF TEST EMERGENCY SELECTABLE

Choose between manual emergency or self test emergency at the time of installation

Emergency options only

DUSK TO DAWN FUNCTION

Detects ambient light levels and adjusts the light accordingly

Photocell options only

PUSH CONNECTOR

Reduce installation time with easy-to-use push fit terminals

REAR OR SIDE CABLE ENTRY

Protect your wiring from harsh weather and possible tampering

IP65 RATED HOUSING

Protect your bulkhead from water and dust