

DUXFORD BULKHEAD MULTI-WATTAGE TRI-COLOUR IP65 PHOTOCELL

NET-33-06-71



Integral Photocell Sensor

Save money and energy by ensuring the fitting
only comes on from dusk 'til dawn



Manual or self test emergency function

Choose between manual or self test emergency
at the time of installation



Features & Benefits

- Dusk to dawn function
- Manual or self test selectable emergency operation
- Selectable 3000K, 4000K or 5500K colour temperature
- IP65 rated housing
- Shatterproof all-polycarbonate diffuser
- Raised mounting plate

Key Data

| | |
|---------------------------|-----------------------------|
| Power | 12W/14W/16W/18W |
| Luminous Flux | 1200lm/1400lm/1600lm/1800lm |
| Colour Temperature | 3000K/4000K/5500K |
| IP Rating | IP65 |
| Dimensions | Ø325 x 110mm |
| Warranty | 3 Years |

NET LED Lighting

Buckingham Business Park, 300 Anderson Road,
Swavesey, Cambridge, CB24 4UQ

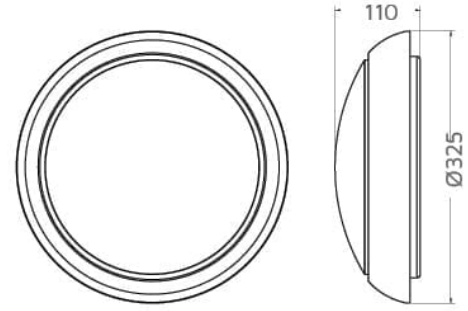
T: 01223 851505 | sales@netled.co.uk | www.netled.co.uk



ORDER BY 6PM
FOR NEXT DAY DELIVERY

Technical Specifications

| | |
|----------------------------|------------------|
| Input Voltage (AC) | 220-240V |
| Power Factor | >0.9 |
| Luminaire Efficacy | 100lm/w |
| LED Manufacturer | Jingrui |
| LED Type | SMD 2835 |
| No. of LEDs | 52 |
| Driver Manufacturer | Tridonic |
| Driver Output Voltage (DC) | 36-42V |
| Total Circuit Power (W) | 12W/14W/16W/18W |
| Electrical Class | 1 |
| Colour Rendering | >80 CRI |
| Lamp Viewing Angle | 115° |
| Dimmable | No |
| Operating Temp. | 0°C to +45°C |
| Lifespan LM80 | 35,000 Hours |
| UGR Rating | More than 19 |
| Weight | 1.13Kg |
| Manufacturer | NET LED Lighting |
| Fire Rating | V2 |
| Luminous Flux Factor | 5% |
| Lux Levels | 5lux - 400lux |
| Self Test | Selectable |
| Housing Colour | White |
| Housing Material | Polycarbonate |
| Battery Pack | Li-on 3.7V |
| Diffuser Material | Polycarbonate |
| Emergency Kit | 1 Year Warranty |
| Emergency Operation | >3H |
| Emergency Pack | Streamer |
| Sensor IP Rating | IP20 |



Other Options

| Description | |
|--------------|---|
| NET-33-06-20 | Duxford Bulkhead Multi-Wattage Tri-Colour IP65 Standard |
| NET-33-06-30 | Duxford Bulkhead Multi-Wattage Tri-Colour IP65 Emergency/Self Test |
| NET-33-06-34 | Duxford Bulkhead Tri-Colour IP65 16W Microwave Sensor Emergency/Self Test |
| NET-33-06-70 | Duxford Bulkhead Multi-Wattage Tri-Colour IP65 Photocell |
| NET-33-06-24 | Duxford Bulkhead Tri-Colour IP65 16W Microwave Sensor |
| NET-33-06-71 | Duxford Bulkhead Multi-Wattage Tri-Colour IP65 Photocell Emergency/Self Test |
| NET-33-06-48 | Duxford Bulkhead Tri-Colour IP65 16W Photocell Microwave Sensor |
| NET-33-06-49 | Duxford Bulkhead Tri-Colour IP65 16W Photocell Microwave Sensor Emergency/Self Test |

NET LED Lighting

Buckingham Business Park, 300 Anderson Road,
Swavesey, Cambridge, CB24 4UQ



ORDER BY 6PM
FOR NEXT DAY DELIVERY

T: 01223 851505 | sales@netled.co.uk | www.netled.co.uk

SHATTERPROOF POLYCARBONATE DIFFUSER

Prevents the fitting from breaking into multiple small pieces

IP65 RATED HOUSING

Protect your bulkhead from water and dust

3K

4K

5.5K

SELECTABLE COLOUR TEMPERATURE

Choose your colour temperature
3000K, 4000K or 5500K

NEW

MULTI WATTAGE DRIVER

Choose between 12W, 14W,
16W or 18W at the time
of installation

NOT on Microwave Sensor options

INTEGRAL MICROWAVE SENSOR

Featuring a 0 or 10% Standby
Mode, 2-10m detection range
and 5sec to 10min hold time

Microwave Sensor options only

NEW

MANUAL OR SELF TEST EMERGENCY SELECTABLE

Choose between manual
emergency or self test
emergency at the time
of installation

Emergency options only

DUSK TO DAWN FUNCTION

Detects ambient light levels
and adjusts the light accordingly

Photocell options only

PUSH CONNECTOR

Reduce installation time with
easy-to-use push fit terminals



SUITABLE FOR BESA BOX INSTALLATION

Save time on site with
pre-made cable entry points