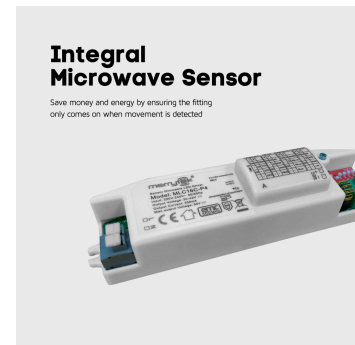


DUXFORD BULKHEAD TRI-COLOUR IP65 16W PHOTOCELL MICROWAVE SENSOR

NET-33-06-49



Features & Benefits

- Manual or self test selectable emergency operation
- Daylight threshold
- Dusk to dawn function
- Off during the day, 10% output at night and 100% with Motion Sensor
- Detection range from 2m to 10m
- Selectable 3000K, 4000K or 5500K colour temperature

Key Data

Power	16W
Luminous Flux	1600lm
Colour Temperature	3000K/4000K/5500K
IP Rating	IP65
Dimensions	Ø325 x 110mm
Warranty	3 Years

NET LED Lighting

Buckingway Business Park, 300 Anderson Road,
Swavesey, Cambridge, CB24 4UQ

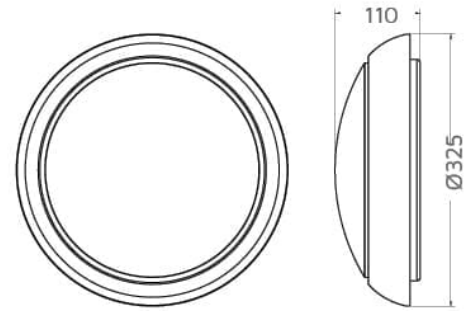
T: 01223 851505 | sales@netled.co.uk | www.netled.co.uk



ORDER BY 6PM
FOR NEXT DAY DELIVERY

Technical Specifications

Input Voltage (AC)	220-240V
Power Factor	>0.9
Luminaire Efficacy	100lm/w
LED Manufacturer	Jingrui
LED Type	SMD 2835
No. of LEDs	52
Driver Manufacturer	Merrytek
Driver Output Voltage (DC)	36-42V
Total Circuit Power (W)	16W
Electrical Class	1
Colour Rendering	>80 CRI
Lamp Viewing Angle	115°
Dimmable	No
Operating Temp.	0°C to +45°C
Lifespan LM80	35,000 Hours
UGR Rating	More than 19
Weight	1.13Kg
Manufacturer	NET LED Lighting
Fire Rating	V2
Luminous Flux Factor	5%
Lux Levels	5lux - 400lux
Self Test	Selectable
Housing Colour	White
Housing Material	Polycarbonate
Battery Pack	Li-on 3.7V
Diffuser Material	Polycarbonate
Emergency Kit	1 Year Warranty
Emergency Operation	>3H
Emergency Pack	Streamer
Sensor IP Rating	IP20
Standby Dimming Level	0% / 10%
Corridor Function	Yes



Other Options

Description	
NET-33-06-20	Duxford Bulkhead Multi-Wattage Tri-Colour IP65 Standard
NET-33-06-30	Duxford Bulkhead Multi-Wattage Tri-Colour IP65 Emergency/Self Test
NET-33-06-34	Duxford Bulkhead Tri-Colour IP65 16W Microwave Sensor Emergency/Self Test
NET-33-06-70	Duxford Bulkhead Multi-Wattage Tri-Colour IP65 Photocell
NET-33-06-24	Duxford Bulkhead Tri-Colour IP65 16W Microwave Sensor
NET-33-06-71	Duxford Bulkhead Multi-Wattage Tri-Colour IP65 Photocell Emergency/Self Test
NET-33-06-48	Duxford Bulkhead Tri-Colour IP65 16W Photocell Microwave Sensor
NET-33-06-49	Duxford Bulkhead Tri-Colour IP65 16W Photocell Microwave Sensor Emergency/Self Test

NET LED Lighting

Buckingham Business Park, 300 Anderson Road,
Swavesey, Cambridge, CB24 4UQ



ORDER BY 6PM
FOR NEXT DAY DELIVERY

SHATTERPROOF POLYCARBONATE DIFFUSER

Prevents the fitting from breaking into multiple small pieces

IP65 RATED HOUSING

Protect your bulkhead from water and dust

3K

4K

5.5K

SELECTABLE COLOUR TEMPERATURE

Choose your colour temperature
3000K, 4000K or 5500K

NEW

MULTI WATTAGE DRIVER

Choose between 12W, 14W,
16W or 18W at the time
of installation

NOT on Microwave Sensor options

INTEGRAL MICROWAVE SENSOR

Featuring a 0 or 10% Standby
Mode, 2-10m detection range
and 5sec to 10min hold time

Microwave Sensor options only

NEW

MANUAL OR SELF TEST EMERGENCY SELECTABLE

Choose between manual
emergency or self test
emergency at the time
of installation

Emergency options only

DUSK TO DAWN FUNCTION

Detects ambient light levels
and adjusts the light accordingly

Photocell options only

PUSH CONNECTOR

Reduce installation time with
easy-to-use push fit terminals



SUITABLE FOR BESA BOX INSTALLATION

Save time on site with
pre-made cable entry points