

## YAXLEY SLIM CIRCULAR TRI-COLOUR IP65 20W DIMMABLE EMERGENCY

NET-33-06-39



### 3 Hour Emergency operation

The integral Emergency Battery ensures the fitting stays on in the event of an emergency or power failure



### Tridonic one4all Dimming Driver

Allows for DALI 1 & 2 and switchDIM (Push) dimming



### Features & Benefits

- Tridonic one4all Dimming - DALI 1 & 2 and switchDIM (Push)
- Maintained or non-maintained high output Emergency operation
- Selectable 3000K, 4000K or 5500K colour temperature
- IP65 rated housing
- Polycarbonate housing and diffuser
- Rear halo effect

### Key Data

<b>Power</b>	20W
<b>Luminous Flux</b>	1900lm/2000lm/1900lm
<b>Colour Temperature</b>	3000K/4000K/5500K
<b>IP Rating</b>	IP65
<b>Dimensions</b>	ø470 x 92mm
<b>Warranty</b>	5 Years (Registration Required)

### Compatible Accessories

NET-33-06-04	Matte Black Ring for Yaxley Slim Circulars
NET-33-06-02	Polished Chrome Ring for Yaxley Slim Circulars

### NET LED Lighting

Buckingham Business Park, 300 Anderson Road,  
Swavesey, Cambridge, CB24 4UQ

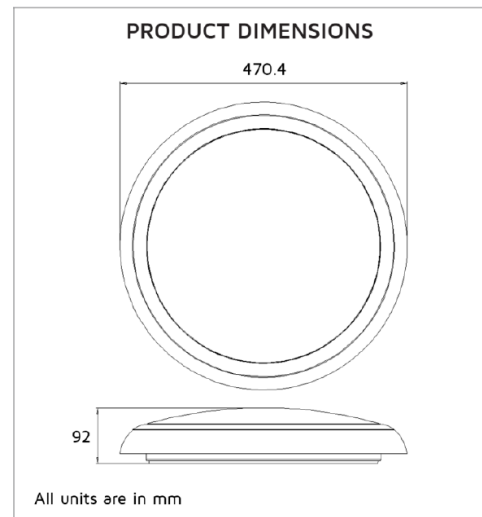
T: 01223 851505 | sales@netled.co.uk | www.netled.co.uk



**ORDER BY 6PM**  
FOR NEXT DAY DELIVERY

## Technical Specifications

Input Voltage (AC)	220-240V
Power Factor	>0.9
Luminaire Efficacy	100lm/W
LED Manufacturer	Jingrui
LED Type	SMD 2835
No. of LEDs	156
Driver Manufacturer	Tridonic Premium Series
Driver Output Voltage (DC)	36-42V
Total Circuit Power (W)	20W +/- 1.5W
Electrical Class	2
Colour Rendering	>80 CRI
Lamp Viewing Angle	115°
Dimmable	Yes
Operating Temp.	0°C to +45°C
Lifespan LM80	50,000 Hours
UGR Rating	More than 19
Weight	2.01Kg
Manufacturer	NET LED Lighting
Fire Rating	V2
Luminous Flux Factor	15%
Recharge Period	24H
Self Test	No
Housing Colour	White
Housing Material	Polycarbonate
Battery Pack	LiFePO4
Diffuser Material	Polycarbonate
Dimming Input Type	one4all Dimming - DALI 1 & 2 and switchDIM (Push)
Emergency Kit	1 Year Warranty
Emergency Operation	>3H
Emergency Pack	Streamer



## Other Options

Description	
NET-33-06-31	Yaxley Slim Circular Tri-Colour IP65 14W/20W Standard
NET-33-06-33	Yaxley Slim Circular Tri-Colour IP65 14W/20W Emergency
NET-33-35-33	Yaxley Slim Circular Tri-Colour IP65 14W/20W Self Test Emergency
NET-33-06-35	Yaxley Slim Circular Tri-Colour IP65 14W/20W Microwave Sensor
NET-33-06-37	Yaxley Slim Circular Tri-Colour IP65 14W/20W Microwave Sensor Emergency
NET-33-06-38	Yaxley Slim Circular Tri-Colour IP65 20W Dimmable one4all
NET-33-06-39	Yaxley Slim Circular Tri-Colour IP65 20W Dimmable Emergency
NET-33-06-26	Yaxley Slim Circular Tri-Colour IP65 20W Dimmable Self Test Emergency
NET-33-06-28	Yaxley Slim Circular Tri-Colour IP65 20W Dimmable DALI Emergency
NET-33-06-29	Yaxley Slim Circular Tri-Colour IP65 14W/20W Microwave Sensor Self Test Emergency

## NET LED Lighting

Buckingham Business Park, 300 Anderson Road,  
Swavesey, Cambridge, CB24 4UQ



**ORDER BY 6PM**  
FOR NEXT DAY DELIVERY

T: 01223 851505 | sales@netled.co.uk | www.netled.co.uk

## SHATTERPROOF POLYCARBONATE DIFFUSER

Designed to prevent  
the diffuser shattering into  
small, indistinct pieces



## HINGED GEAR TRAY

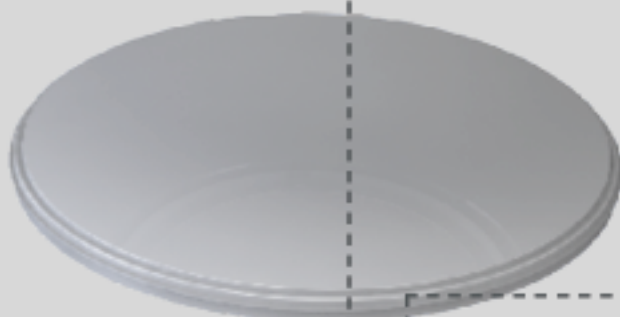
Get easy access to wiring  
and components



3K 4K 5.5K

## SELECTABLE COLOUR TEMPERATURE

Choose your colour temperature  
3000K, 4000K or 5500K



**NEW**

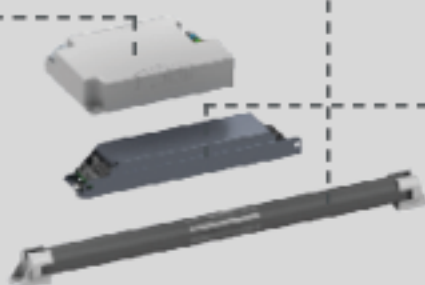
## MANUAL OR SELF TEST EMERGENCY SELECTABLE

Choose between manual  
emergency or self test emergency  
at the time of installation

## TRIDONIC PREMIUM DIMMABLE DRIVER

Customise lighting levels  
and reduce electricity consumption

*Dimmable options only*



*Emergency options only*

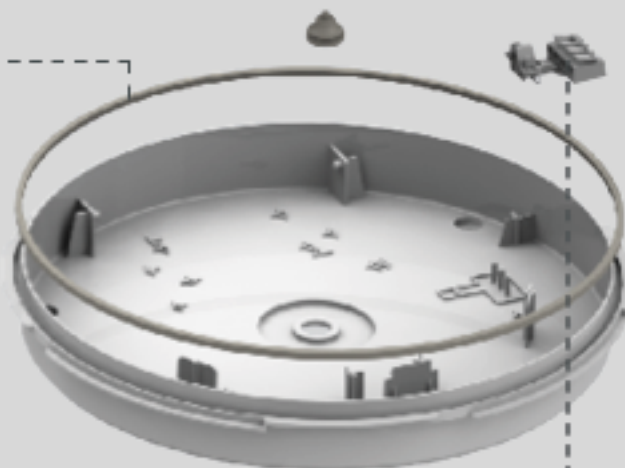
## 0, 10 OR 25% STANDBY MODE

Reduce unnecessary energy  
consumption by avoiding lighting  
in areas that don't need it

*Microwave Sensor options only*

## IP65 RATED GASKET

Protect your fitting from  
water and dust



## PUSH CONNECTOR

Reduce installation time  
with easy-to-use push fit  
terminals