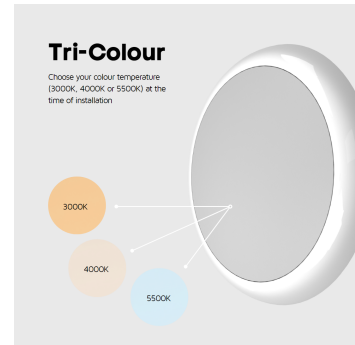


YAXLEY SLIM CIRCULAR TRI-COLOUR IP65 20W DIMMABLE DALI EMERGENCY

NET-33-06-28



Features & Benefits

- DALI Addressable Emergency function
- Selectable 3000K, 4000K or 5500K colour temperature
- IP65 rated housing
- Polycarbonate housing and diffuser
- Rear halo effect
- Hinged gear tray

Key Data

Power	20W
Luminous Flux	1900lm/2000lm/1900lm
Colour Temperature	3000K/4000K/5500K
IP Rating	IP65
Dimensions	ø470 x 92mm
Warranty	5 Years (Registration Required)

Compatible Accessories

NET-33-06-04	Matte Black Ring for Yaxley Slim Circulars
NET-33-06-02	Polished Chrome Ring for Yaxley Slim Circulars

NET LED Lighting

Buckingway Business Park, 300 Anderson Road,
Swavesey, Cambridge, CB24 4UQ

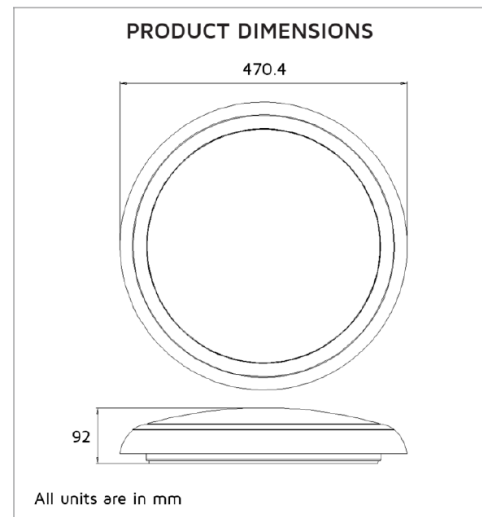
T: 01223 851505 | sales@netled.co.uk | www.netled.co.uk



ORDER BY 6PM
FOR NEXT DAY DELIVERY

Technical Specifications

Input Voltage (AC)	220-240V
Power Factor	>0.9
Luminaire Efficacy	100lm/w
LED Manufacturer	Jingrui
LED Type	SMD 2835
No. of LEDs	156
Driver Manufacturer	Tridonic Premium Series
Driver Output Voltage (DC)	36-42V
Total Circuit Power (W)	20W +/- 1.5W
Electrical Class	2
Colour Rendering	>80 CRI
Lamp Viewing Angle	115°
Dimmable	Yes
Operating Temp.	0°C to +45°C
Lifespan LM80	50,000 Hours
UGR Rating	More than 19
Weight	2.01Kg
Manufacturer	NET LED Lighting
Fire Rating	V2
Luminous Flux Factor	15%
Recharge Period	24H
Self Test	No
Housing Colour	White
Housing Material	Polycarbonate
Battery Pack	LiFePO4 3.2V 4.5Ah
Diffuser Material	Polycarbonate
Dimming Input Type	DALI Addressable
Emergency Kit	1 Year Warranty
Emergency Operation	>3H
Emergency Pack	DALI Addressable



Other Options

Description	
NET-33-06-31	Yaxley Slim Circular Tri-Colour IP65 14W/20W Standard
NET-33-06-33	Yaxley Slim Circular Tri-Colour IP65 14W/20W Emergency
NET-33-35-33	Yaxley Slim Circular Tri-Colour IP65 14W/20W Self Test Emergency
NET-33-06-35	Yaxley Slim Circular Tri-Colour IP65 14W/20W Microwave Sensor
NET-33-06-37	Yaxley Slim Circular Tri-Colour IP65 14W/20W Microwave Sensor Emergency
NET-33-06-38	Yaxley Slim Circular Tri-Colour IP65 20W Dimmable one4all
NET-33-06-39	Yaxley Slim Circular Tri-Colour IP65 20W Dimmable Emergency
NET-33-06-26	Yaxley Slim Circular Tri-Colour IP65 20W Dimmable Self Test Emergency
NET-33-06-28	Yaxley Slim Circular Tri-Colour IP65 20W Dimmable DALI Emergency
NET-33-06-29	Yaxley Slim Circular Tri-Colour IP65 14W/20W Microwave Sensor Self Test Emergency

NET LED Lighting

Buckingham Business Park, 300 Anderson Road,
Swavesey, Cambridge, CB24 4UQ



ORDER BY 6PM
FOR NEXT DAY DELIVERY

SHATTERPROOF POLYCARBONATE DIFFUSER

Designed to prevent
the diffuser shattering into
small, indistinct pieces

3K 4K 5.5K

SELECTABLE COLOUR TEMPERATURE

Choose your colour temperature
3000K, 4000K or 5500K

TRIDONIC PREMIUM DIMMABLE DRIVER

Customise lighting levels
and reduce electricity consumption

Dimmable options only

IP65 RATED GASKET

Protect your fitting from
water and dust

HINGED GEAR TRAY

Get easy access to wiring
and components



NEW

MANUAL OR SELF TEST EMERGENCY SELECTABLE

Choose between manual
emergency or self test emergency
at the time of installation

Emergency options only

0, 10 OR 25% STANDBY MODE

Reduce unnecessary energy
consumption by avoiding lighting
in areas that don't need it

Microwave Sensor options only

PUSH CONNECTOR

Reduce installation time
with easy-to-use push fit
terminals