

YAXLEY SLIM CIRCULAR TRI-COLOUR IP65 20W DIMMABLE SELF TEST EMERGENCY

NET-33-06-26



Self Test Emergency operation

Save time and money with a fitting that carries out its own testing in line with relevant standards



Tridonic one4all Dimming Driver

Allows for DALI 1 & 2 and switchDIM (Push) dimming



Features & Benefits

- Self Test Emergency function
- Tridonic one4all Dimming - DALI 1 & 2 and switchDIM (Push)
- Maintained or non-maintained high output Emergency operation
- Selectable 3000K, 4000K or 5500K colour temperature
- IP65 rated housing
- Polycarbonate housing and diffuser

Key Data

| | |
|---------------------------|---------------------------------|
| Power | 20W |
| Luminous Flux | 1900lm/2000lm/1900lm |
| Colour Temperature | 3000K/4000K/5500K |
| IP Rating | IP65 |
| Dimensions | ø470 x 92mm |
| Warranty | 5 Years (Registration Required) |

Compatible Accessories

| | |
|--------------|--|
| NET-33-06-04 | Matte Black Ring for Yaxley Slim Circulars |
| NET-33-06-02 | Polished Chrome Ring for Yaxley Slim Circulars |

NET LED Lighting

Buckingham Business Park, 300 Anderson Road,
Swavesey, Cambridge, CB24 4UQ

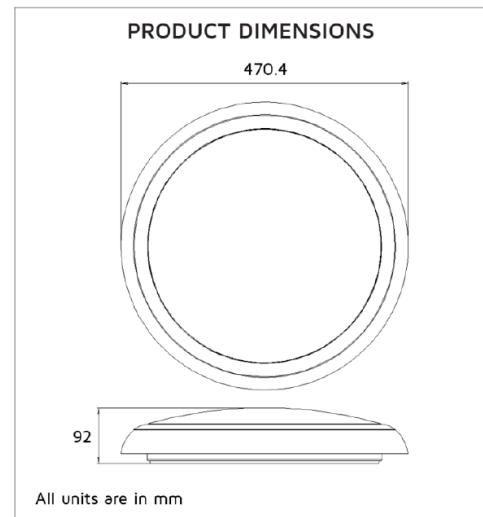
T: 01223 851505 | sales@netled.co.uk | www.netled.co.uk



ORDER BY 6PM
FOR NEXT DAY DELIVERY

Technical Specifications

| | |
|----------------------------|---|
| Input Voltage (AC) | 220-240V |
| Power Factor | >0.9 |
| Luminaire Efficacy | 100lm/W |
| LED Manufacturer | Jingrui |
| LED Type | SMD 2835 |
| No. of LEDs | 156 |
| Driver Manufacturer | Tridonic Premium Series |
| Driver Output Voltage (DC) | 36-42V |
| Total Circuit Power (W) | 20W +/- 1.5W |
| Electrical Class | 2 |
| Colour Rendering | >80 CRI |
| Lamp Viewing Angle | 115° |
| Dimmable | Yes |
| Operating Temp. | 0°C to +45°C |
| Lifespan LM80 | 50,000 Hours |
| UGR Rating | More than 19 |
| Weight | 2.01Kg |
| Manufacturer | NET LED Lighting |
| Fire Rating | V2 |
| Luminous Flux Factor | 15% |
| Recharge Period | 24H |
| Self Test | Yes |
| Housing Colour | White |
| Housing Material | Polycarbonate |
| Battery Pack | LiFePO4 |
| Diffuser Material | Polycarbonate |
| Dimming Input Type | one4all Dimming - DALI 1 & 2 and switchDIM (Push) |
| Emergency Kit | 1 Year Warranty |
| Emergency Operation | >3H |
| Emergency Pack | Streamer |



Other Options

| Description | |
|--------------|---|
| NET-33-06-31 | Yaxley Slim Circular Tri-Colour IP65 14W/20W Standard |
| NET-33-06-33 | Yaxley Slim Circular Tri-Colour IP65 14W/20W Emergency |
| NET-33-35-33 | Yaxley Slim Circular Tri-Colour IP65 14W/20W Self Test Emergency |
| NET-33-06-35 | Yaxley Slim Circular Tri-Colour IP65 14W/20W Microwave Sensor |
| NET-33-06-37 | Yaxley Slim Circular Tri-Colour IP65 14W/20W Microwave Sensor Emergency |
| NET-33-06-38 | Yaxley Slim Circular Tri-Colour IP65 20W Dimmable one4all |
| NET-33-06-39 | Yaxley Slim Circular Tri-Colour IP65 20W Dimmable Emergency |
| NET-33-06-26 | Yaxley Slim Circular Tri-Colour IP65 20W Dimmable Self Test Emergency |
| NET-33-06-28 | Yaxley Slim Circular Tri-Colour IP65 20W Dimmable DALI Emergency |
| NET-33-06-29 | Yaxley Slim Circular Tri-Colour IP65 14W/20W Microwave Sensor Self Test Emergency |

NET LED Lighting

Buckingham Business Park, 300 Anderson Road,
Swavesey, Cambridge, CB24 4UQ



ORDER BY 6PM
FOR NEXT DAY DELIVERY

T: 01223 851505 | sales@netled.co.uk | www.netled.co.uk

SHATTERPROOF POLYCARBONATE DIFFUSER

Designed to prevent
the diffuser shattering into
small, indistinct pieces



HINGED GEAR TRAY

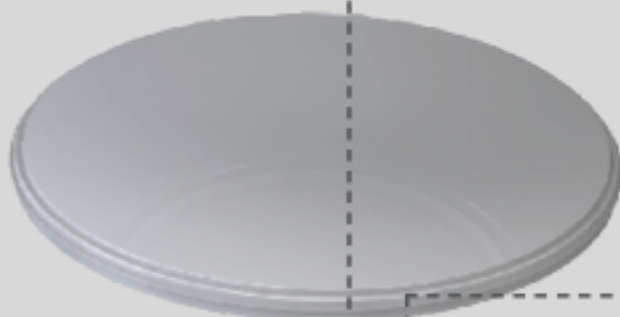
Get easy access to wiring
and components



3K 4K 5.5K

SELECTABLE COLOUR TEMPERATURE

Choose your colour temperature
3000K, 4000K or 5500K



NEW

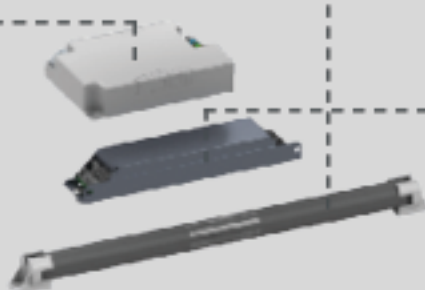
MANUAL OR SELF TEST EMERGENCY SELECTABLE

Choose between manual
emergency or self test emergency
at the time of installation

TRIDONIC PREMIUM DIMMABLE DRIVER

Customise lighting levels
and reduce electricity consumption

Dimmable options only



Emergency options only

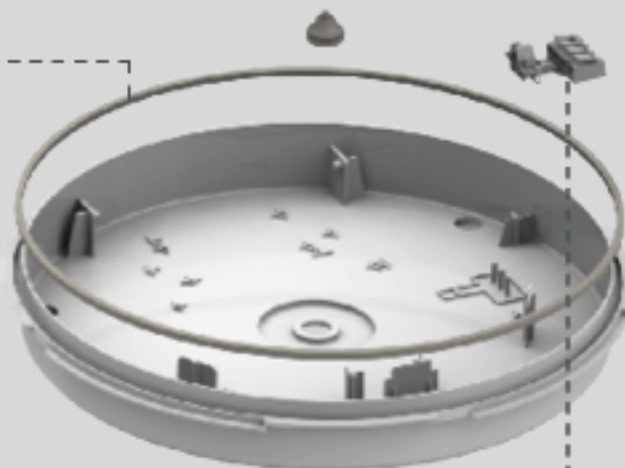
0, 10 OR 25% STANDBY MODE

Reduce unnecessary energy
consumption by avoiding lighting
in areas that don't need it

Microwave Sensor options only

IP65 RATED GASKET

Protect your fitting from
water and dust



PUSH CONNECTOR

Reduce installation time
with easy-to-use push fit
terminals