

SINGLE PIVOT BRACKET

NET-23-16-65



NET LED Lighting

Buckingway Business Park, 300 Anderson Road,
Swavesey, Cambridge, CB24 4UQ

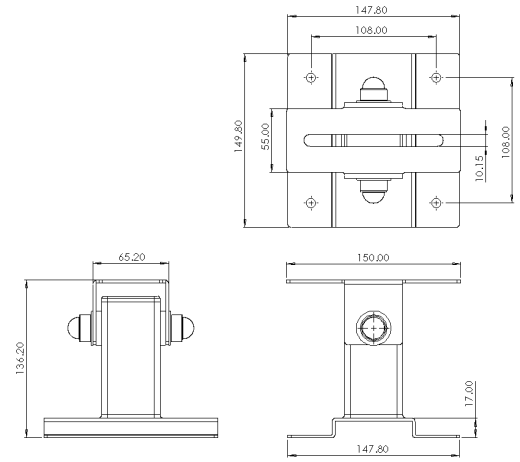
T: 01223 851505 | sales@netled.co.uk | www.netled.co.uk



ORDER BY 6PM
FOR NEXT DAY DELIVERY

Technical Specifications

Weight	1.2Kg
Depth	135mm
Mounting Plate	150 x 65mm
Back Plate	150 x 150mm
Fixing Size	M8



Other Options

Description	
NET-23-16-65	Single Pivot Bracket
NET-23-16-67	Twin Pivot Bracket

NET LED Lighting

Buckingham Business Park, 300 Anderson Road,
Swavesey, Cambridge, CB24 4UQ



ORDER BY 6PM
FOR NEXT DAY DELIVERY

T: 01223 851505 | sales@netled.co.uk | www.netled.co.uk