

Safety Information:

- The dimming cables should be run separately from the connections and mains cables to ensure good EMC conditions.

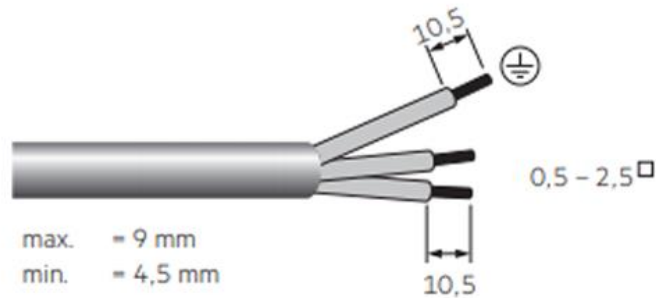
Wiring the plug-in terminal:

- Use solid wire or stranded wire with the correct cross-section
- Strip off correct length of insulation; you may need to twist the end slightly
- If stranded wire is used: push onto the terminal from above to be able to insert the wire
- Insert the bare end into the terminal

Detaching the plug-in terminal:

- Push onto the terminal from above to release the wire
- Pull out the wire at the front

Mains supply wires
Stranded with or solid wire from
0.5 to 2.5mm² may be used for
wiring.



For more information regarding driver settings/options, please access the QR code below:



Tridonic LCA PRE, LC EXC

TRIDONIC

Dimming Driver Installation Guide

Distributed by

NET LED
LIGHTING



theLIA
MEMBER



Certificate No. FS 571788



Certificate No. EMS 571787

NET LED Ltd.
Buckingway Business Park
300 Anderson Road
Cambridge
CB24 4UQ
sales@netled.co.uk
www.netled.co.uk

Technical Helpline: 01223 851505
Email: support@netled.co.uk

www.netled.co.uk/downloads

Installation procedure: Carefully read the installation instructions and ensure the mains supply is isolated before installation. Please follow the safety information overleaf before carrying out any installation. Please retain this leaflet for future reference.

DALI

Description:

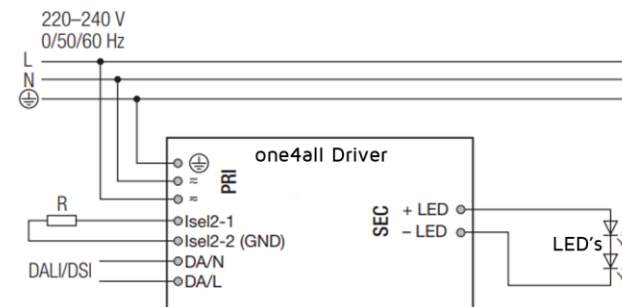
DALI (Digital Addressable Lighting Interface) is an interface protocol for digital communication between electronic lighting equipment.

DALI offers a lot of possibilities:

- DALI line: 64 LED Driver can be grouped to a line
- DALI groups: Every LED Driver can be attributed into 16 groups
- Addressability: All LED Driver are individually addressable
- Grouping: Possible without complicated rewiring
- Programmability: Individual programmability makes it possible to use functions which transcend the DALI standard
- Monitoring: Easily possible thanks to status feedback
- Wiring: Simple wiring with five pole standard cables and a cable length of max. 300 metres
- Wiring: Polarity-free control lines can be used for mains and control lines
- Wiring: Multiple wiring possibilities (star, series and mixed wiring)
- Unaffected by interruptions: All luminaires receive the same, unaffected digital signal and dimming level
- Similar light level from first to last luminaire.

Technical data of a DALI line:

- DALI voltage: 9.5V - 22.4V
- Maximum DALI system current: max. 250mA
- Data transfer rate: 1200 Baud
- Maximum line length: up to 300m (for 1.5mm²)



switchDIM/Push

Description:

With the switchDIM function it is possible to use the mains voltage as a control signal.

The phase of a standard mains voltage push button is connected to the terminal marked DA/L and the neutral conductor is connected to the terminal marked DA/N.

Using the function is easy and convenient:

- A short press (50-600 ms) switches the device on or off
- A long press (>600 ms) fades the connected operating device alternately up and down (between 1 and 100%)

The device has a switchDIM memory function. This is used, among other things, for storing the last dimming value in the event of interruptions in the power supply.

When power returns, the LED is automatically restored to its previous operating state and dimmed to the last value.

⚠ Caution!

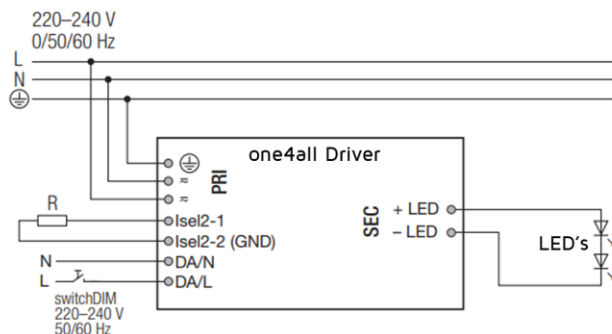
Glow switches are not approved for controlling switchDIM.

Glow switches may cause the LED Driver to spontaneously switch on or off or make sudden changes in the dimming value.

⚠ Caution!

A maximum number of 25 operating devices per switchDIM system should not be exceeded.

If you have more devices please use DALI or DSI.



DSI

Description:

DSI (Digital Serial Interface) enables DSI control gear to be controlled. The DSI line can be wired separately via a two-core cable or together with the mains cable in a five-core cable. Communication is not impaired by the mains cable. In contrast to DALI, there is no individual addressing of the ballasts with DSI.

DSI offers a series of benefits:

- Expansion options via submodules, for example in combination with daylight control or additional switch modules
- Wiring: Simple wiring with five standard cables and line length of up to 250metres
- Wiring: Polarity-free control lines can be used for mains and control lines
- Wiring: Multiple wiring possibilities (star, series and mixed wiring)
- Unaffected by electrical interference: Uniform light level from the first to the last light source
- Reverse polarity protected connection: can be connected with any polarity

