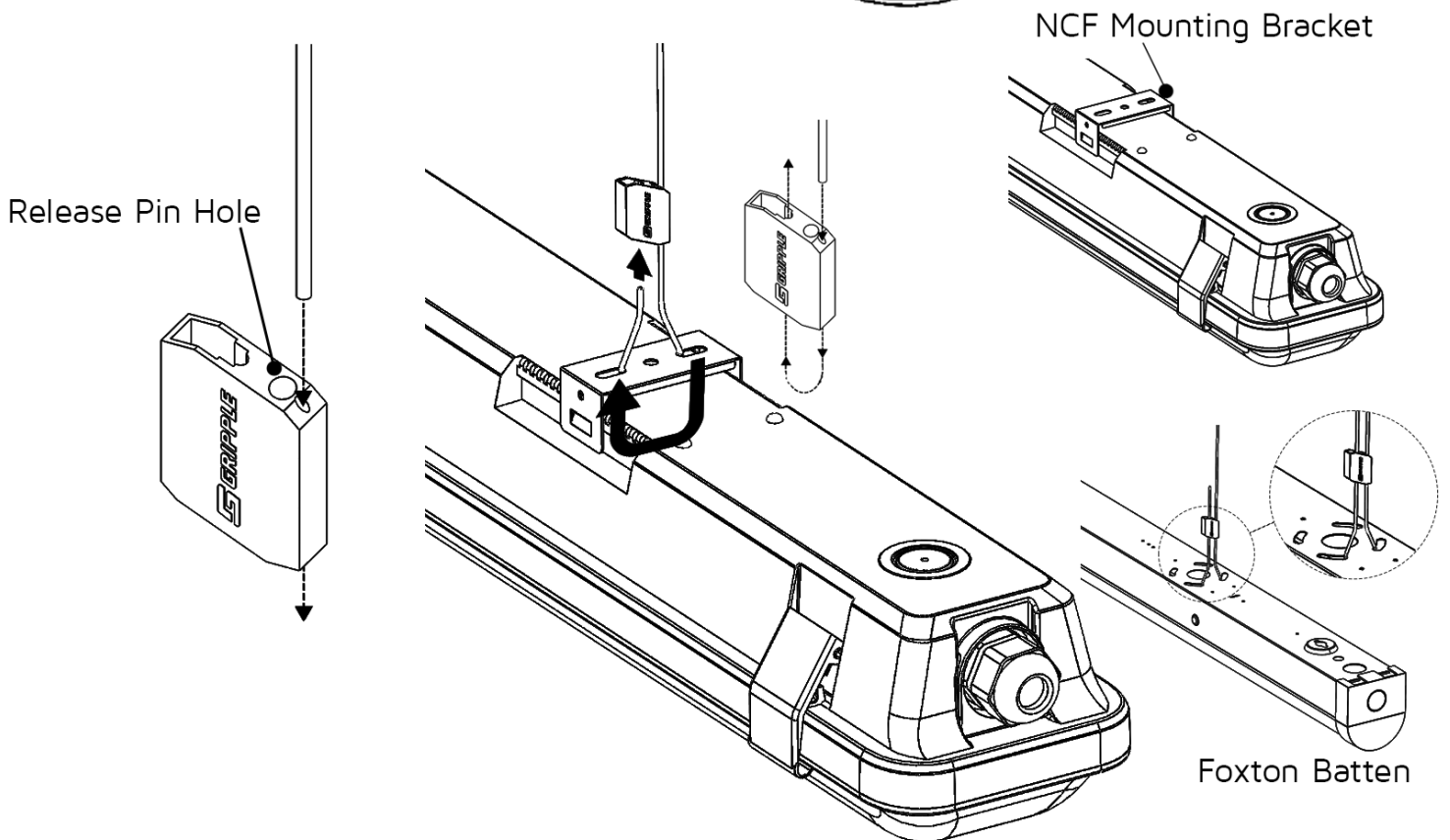
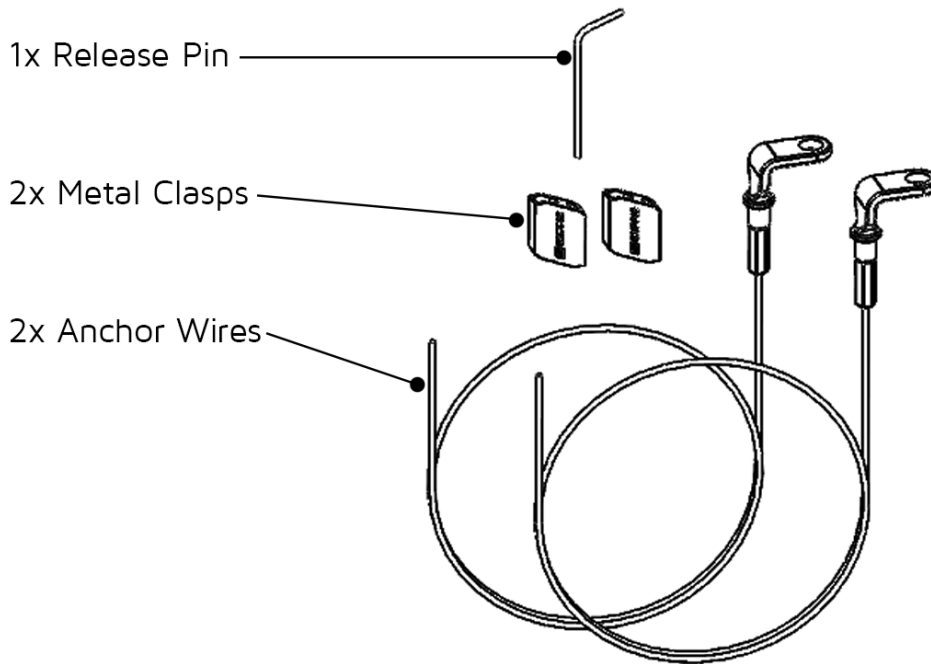


Gripple Suspension Kit Assembly Instructions for Linears/Battens/NCF NET-46-16-04



Gripple Suspension Kit Components



Step 1: Feed Anchor Wire into the Metal Clasp

Step 2: Feed Anchor Wire through the Mounting Bracket or through the mounting holes, then insert Anchor Wire back into the Metal Clasp. Pull the Anchor Wire through the Metal Clasp to raise the fitting.
To lower the fitting, insert the Release Pin into the Clasp Release Pin Hole, then feed the Anchor Wire out the Metal Clasp.