

Safety Instructions

>All electrical work must be undertaken by a qualified contractor to ensure compliance with latest edition BS 7671 and IEE/IET wiring regulations.

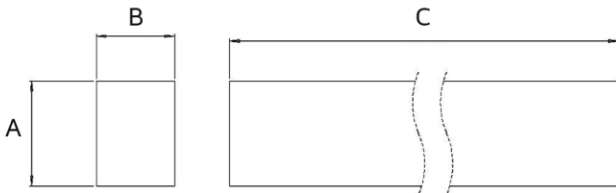
>Before installing a LED Linear or doing any maintenance, ensure power supply is turned off at the circuit breaker or fuse box.

>This product is designed for permanent connection to fixed wiring; the circuit should be protected with the appropriate MCB or fuse.

Environment

>Please DO NOT dispose of electrical items or packaging as unsorted waste, use the recycling facilities provided by your local authorities.

PRODUCT DIMENSIONS



Size (ft)	A	B	C
4	75	56	1204

All units are in mm

Important Warranty Information

The LED Linear has a 3 year warranty, which can be extended free of charge to 5 years by registering online via the website address below. The registrant must provide the product part number and date of manufacture, which can be found on the label attached to the luminaire housing.



Certificate No. FS 571788



Certificate No. EMS 571787

NET LED Limited
Buckingham Business Park
300 Anderson Road
Cambridge
CB24 4UQ UK
sales@netled.co.uk
www.netled.co.uk

Technical Helpline: 01223 851505
Email: support@netled.co.uk

www.netled.co.uk/downloads

Distributed by



LED BATTEN INSTALLATION GUIDE

LED BATTEN NET-43-11-46

KEY DATA

Light Source:	LED	
Length	4ft	
Length	1200mm	
Power	36W	
Luminous Flux(3000K)	3950lm	
Luminous Flux(4000K)	5200lm	
Luminous Flux(5000K)	4750lm	
Luminous Efficacy	105lm/W	
Colour Temperature	3000/4000/5700K	
Colour Rendering	>80 CRI	
Housing Material	Aluminium	
Diffuser Material	Polycarbonate	
IP Rating	IP40	
Manufacturer	Sochii Lighting	

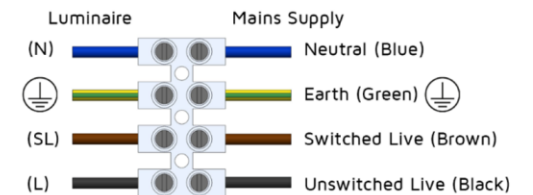
SUPPLY/EARTH CLASS

220-240V AC 50/60 Hz



Class I

Fig.1 Mains Input Termination



Installation procedure: Carefully read the installation instructions and ensure the mains supply is isolated before installation. Please read the safety information overleaf before carrying out any installation. Please retain the leaflet for future reference.

Installation Instructions



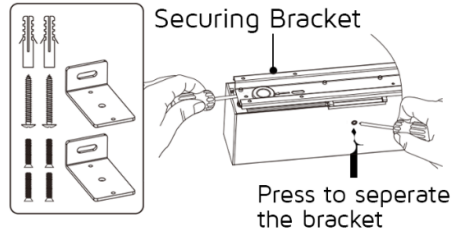
Non-replaceable light source



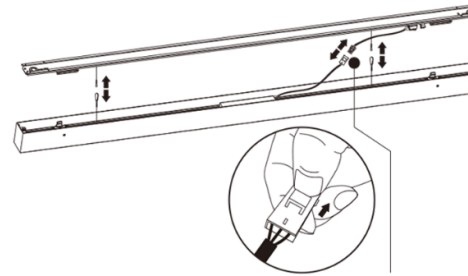
Replaceable control gear by professional

Wall mounted installation

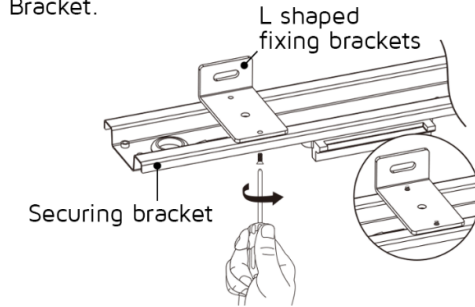
Step 1: Remove Linear from packaging and ensure all components are included. Press the release clip on both sides to separate the securing bracket.



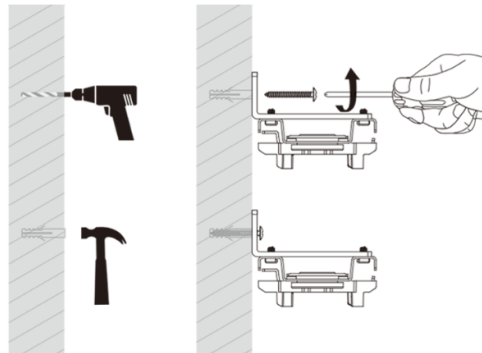
Step 2: Disconnect the LED connector and safety clips to release the Linear from the securing bracket.



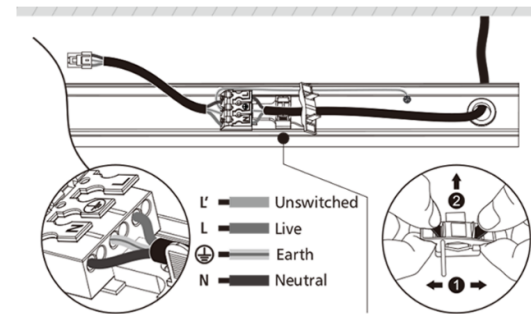
Step 3: Attach L shaped fixing brackets to Securing Bracket.



Step 4: Drill Rawl plug holes in the wall, insert Rawl plugs and then attach fixing brackets to wall.

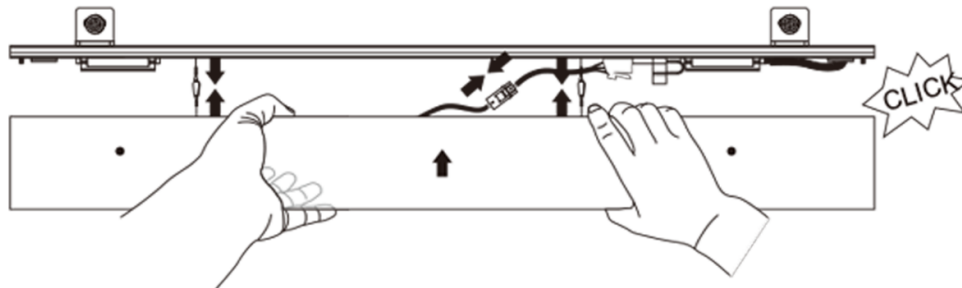


Step 5: Connect the power input cable in accordance to the below wiring diagram.



Standard	Emergency	Dali/Dim
L = Live ⊕ = Earth N = Neutral	L' = Unswitched L = Live ⊕ = Earth N = Neutral	DA/V+ = DIM+ DA/V- = DIM- L = Live ⊕ = Earth N = Neutral

Step 6: Re-attach the safety clips and the LED connector. Attach the Linear to securing bracket. Listen for the 'click' from the release clips to ensure it has attached correctly.



Step 7: Check that all fixings are secure and the Linear operates as intended.



COMPLETE