

Safety Information

>All electrical work must be undertaken by a qualified contractor to ensure compliance with latest edition BS7671 and IEE/IET wiring regulations.

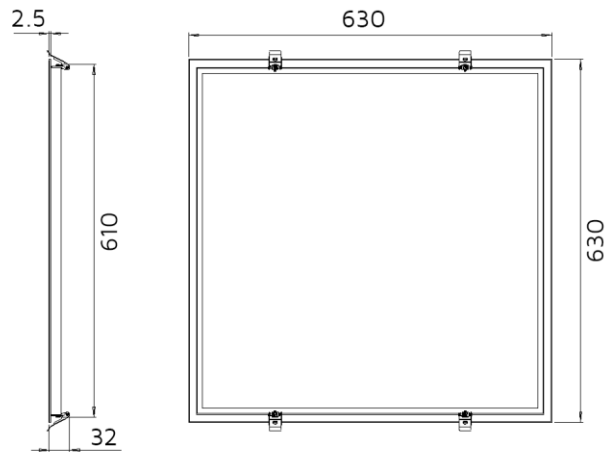
> Before installing the LED Panel Recessed Frame or doing any maintenance, ensure power supply is turned off at the circuit breaker or fuse box.

> This product is designed for permanent connection to fixed wiring; the circuit should be protected with the appropriate MCB or fuse.

Environment

>Please DO NOT dispose of electrical items or packaging as unsorted waste. Use the recycling facilities provided by your local authorities.

PRODUCT DIMENSIONS



Cutout Size: 610x610mm

All units are in mm

Important Warranty Information

The LED Panel Recessed Mounting Frame has a 3 year warranty. To claim, you must provide the product part number and date of manufacture.



Certificate No. FS 590684



Certificate No. EMS 590685

NET LED Lighting
Buckingway Business Park
300 Anderson Road
Cambridge
CB24 4UQ
sales@netled.co.uk
www.netled.co.uk

Technical Helpline: 01223 851505
Email: support@netled.co.uk

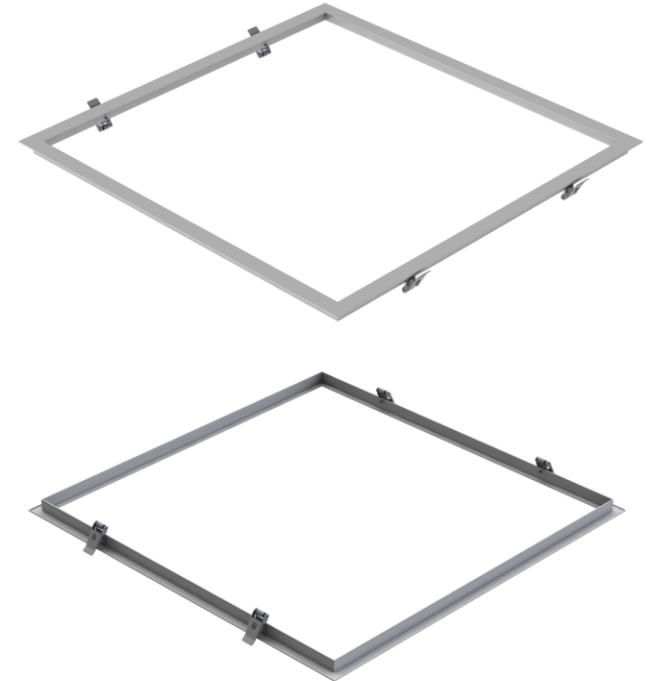
www.netled.co.uk/downloads

Distributed by



LED PANEL RECESSED MOUNTING FRAME

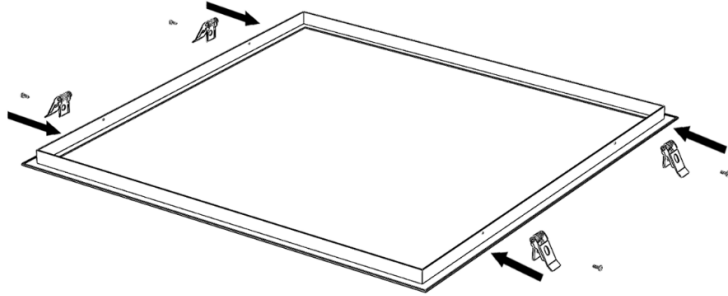
Part Number	Description
NET-39-03-47	600x600mm Recessed Mounting Frame



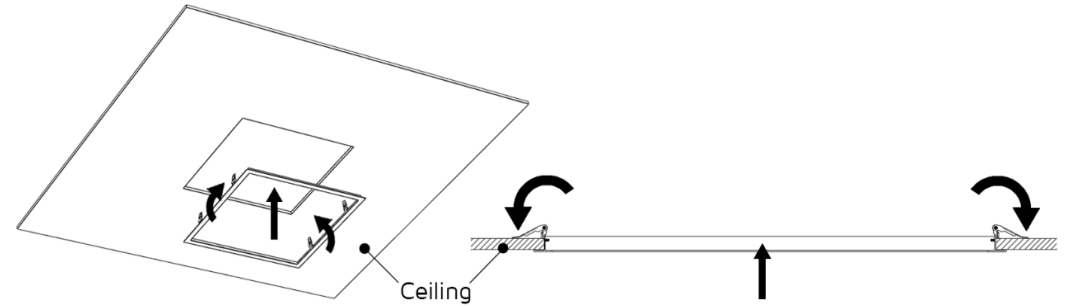
Installation procedure: Carefully read the installation instructions and ensure the mains supply is isolated before installation. Please follow the safety information overleaf before carrying out any installation. Please retain the leaflet for future reference. Important: When installing, leave a space of at least 1.2m between the LED Panel and any heating source/air conditioning unit.

LED Panel Recessed Frame Installation:

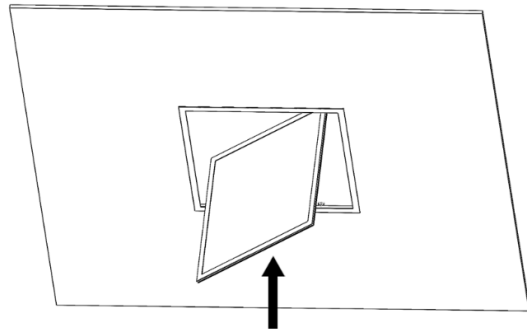
Step 1: Carefully remove the LED Panel, LED driver and Recessed Mounting Frame from the packaging. Attached the 4x spring clips to the Recess Frame using the 4x securing screws provided.



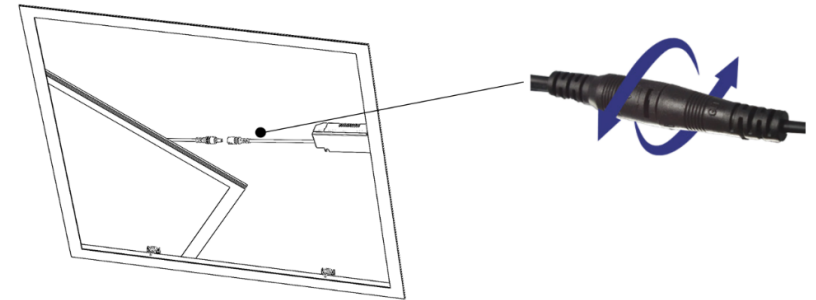
Step 2: Insert the Recess Frame into the ceiling cutout by rotating the spring clips upwards. The spring clips will secure the frame once fully fitted.



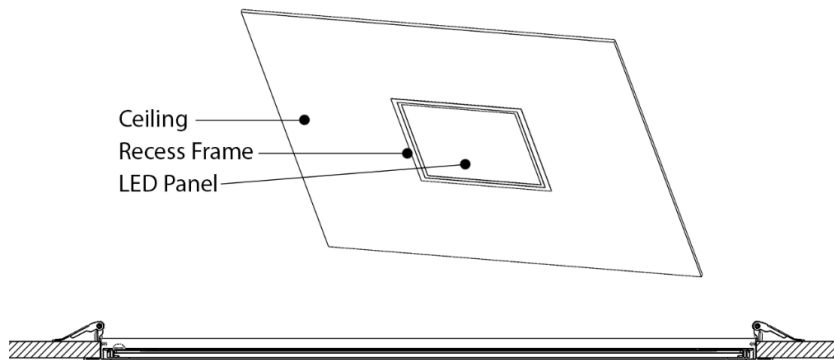
Step 3: Insert the LED panel into the Recess Frame.



Step 4: Attach the LED Driver to the LED Panel by connecting the twist lock connector. Please refer to the LED Panel installation guide for wiring instructions.



Step 5: Check that the LED panel functions as intended. Lay the LED Panel into the Recess Frame and ensure it is aligned correctly.



Optional additional products:

3 Hour Emergency Kits

LED Panel Lights are compatible with our 3 Hour Emergency Kits. Units maintain compatible Panels for 3 hours at not less than 3W.

