

### Safety Information

>All electrical work must be undertaken by a qualified contractor to ensure compliance with latest edition BS 7671 and IEE/IET wiring regulations.

>Before installing an LED Batten or doing an maintenance, ensure power supply is turned off at the circuit breaker or fuse box.

>This product is designed for permanent connection to fixed wiring; the circuit should be protected with the appropriate MCB or fuse.

### Environment

>Please DO NOT dispose of electrical items or packaging as unsorted waste. Use the recycling facilities provided by your local authorities.

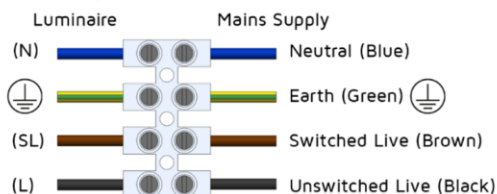
### SUPPLY/EARTH CLASS

220-240V AC 50/60 Hz

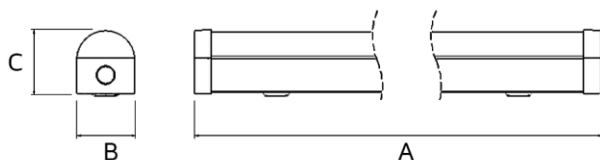


Class I

Fig.1 Mains Input Termination



### PRODUCT DIMENSIONS



Size (ft)	A	B	C
2	600	63	73
4	1200	63	73
5	1500	63	73
6	1800	63	73

All units are in mm

### Important Warranty Information

The LED Batten has a 3 year warranty, which can be extended free of charge to 5 years by registering online via the website address below. The registrant must provide the product part number and date of manufacture, which can be found on the label attached to the luminaire housing.



Certificate No. FS 590684



Certificate No. EMS 590685

NET LED Lighting  
Buckway Business Park  
300 Anderson Road  
Cambridge  
CB24 4UQ  
sales@netled.co.uk  
www.netled.co.uk

Technical Helpline: 01223 851505  
Email: support@netled.co.uk

www.netled.co.uk/downloads

Distributed by



### FOXTON LED BATTEN INSTALLATION GUIDE

Part Number	Description
NET-41-11-68	2ft 10W Batten - Standard
NET-41-11-69	2ft 10W Batten - Emergency
NET-41-11-91	4ft 20W Batten - Standard
NET-41-11-92	4ft 20W Batten - Emergency
NET-41-12-92	4ft 20W Batten - Self Test EMG
NET-41-11-08	4ft 20W Batten - Dimmable
NET-41-11-09	4ft 20W Batten - Dimmable EMG
NET-41-11-93	5ft 25W Batten - Standard
NET-41-11-94	5ft 25W Batten - Emergency
NET-41-12-94	5ft 25W Batten - Self Test EMG
NET-41-11-06	5ft 25W Batten - Dimmable
NET-41-11-07	5ft 25W Batten - Dimmable EMG
NET-41-11-96	5ft 50W Batten - Standard
NET-41-11-95	5ft 50W Batten - Emergency
NET-41-12-95	5ft 50W Batten - Self Test EMG
NET-41-11-13	5ft 50W Batten - Dimmable
NET-41-11-14	5ft 50W Batten - Dimmable EMG
NET-41-11-97	6ft 35W Batten - Standard
NET-41-11-98	6ft 35W Batten - Emergency
NET-41-12-98	6ft 35W Batten - Self Test EMG
NET-41-11-15	6ft 35W Batten - Dimmable
NET-41-11-16	6ft 35W Batten - Dimmable EMG
NET-41-11-10	6ft 75W Batten - Standard
NET-41-11-99	6ft 75W Batten - Emergency
NET-41-12-99	6ft 75W Batten - Self Test EMG
NET-41-11-17	6ft 75W Batten - Dimmable
NET-41-11-18	6ft 75W Batten - Dimmable EMG



**Installation procedure:** Carefully read the installation instructions and ensure the mains supply is isolated before installation. Please read the safety information overleaf before carrying out any installation. Please retain the leaflet for future reference.

**LED Batten Installation:**



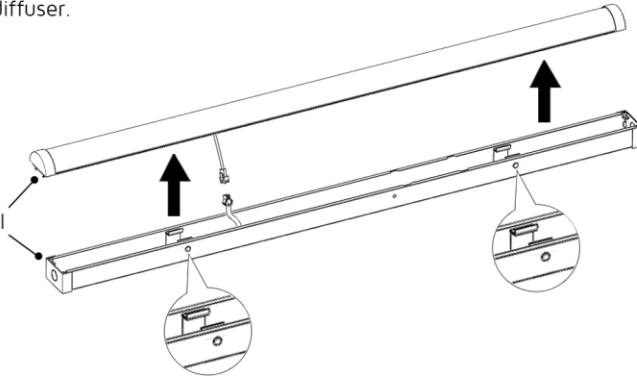
Replaceable light source by end-user



Replaceable control gear by professional

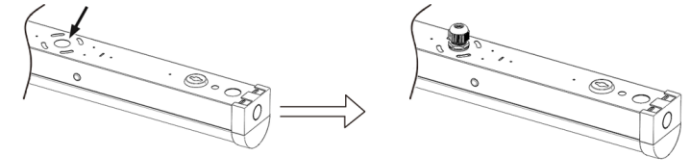
**Step 1:** Carefully remove the LED Batten from the packaging. Press the clips on the luminaire housing to remove the diffuser.

Endcaps have additional clips which pull apart on both sides

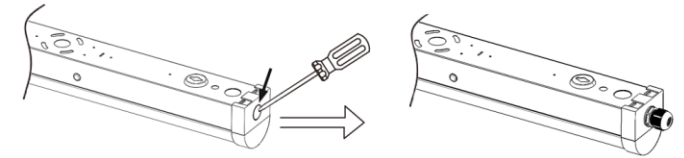


**Step 2:** Pop out the required cable entry hole and fix the cable gland supplied if required.

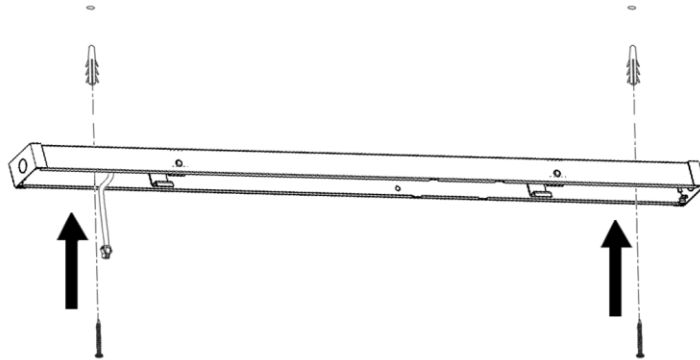
Rear entry



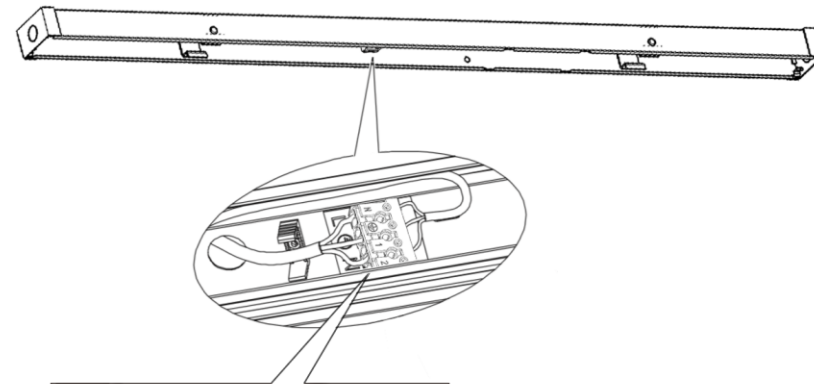
Side entry



**Step 3:** Fix the LED Batten onto a mounting surface as per the illustration below.

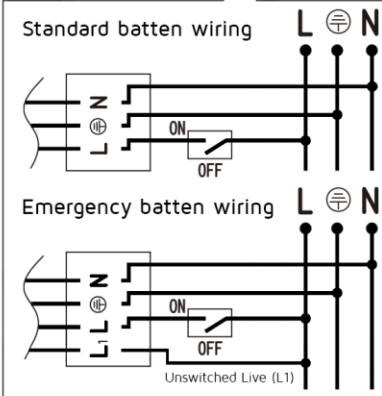
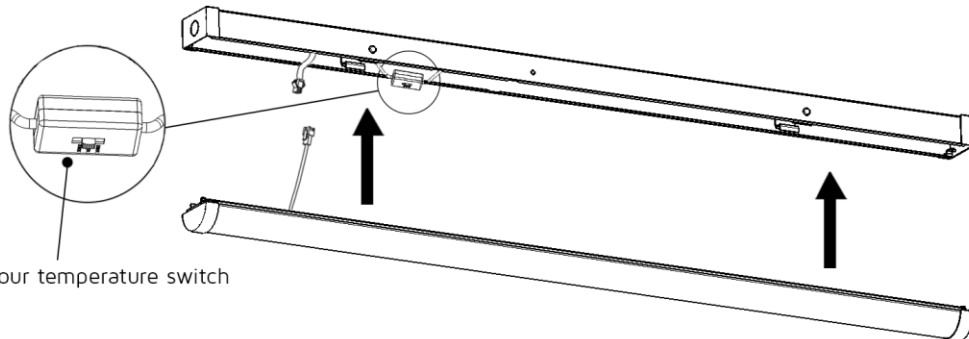


**Step 4:** Wire the cable into the terminal block inside the luminaire housing.



**Step 5:** Select colour temperature, then replace the diffuser and ensure it has clicked into place. Turn on the power supply to ensure the luminaire is working properly.

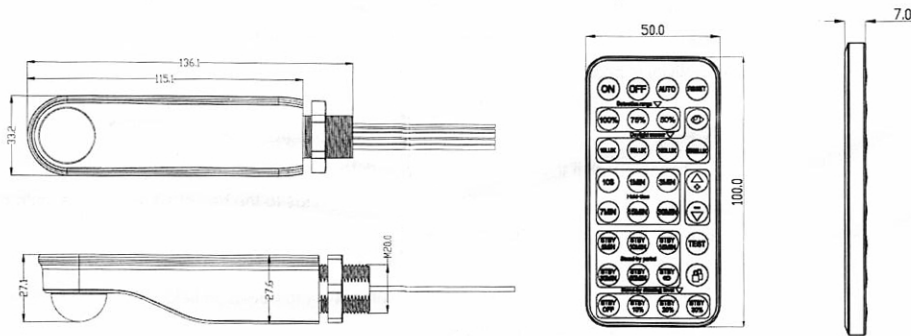
Colour temperature switch



**Important Battery Warranty information**

The Battery has a 1 Year Warranty. To claim, you must provide the product part number and date of manufacture, which can be found on the label attached to the Luminaire housing along with the original purchase invoice.

# SSEN/BP/DIM/WH



## Instructions for SSEN/BP/DIM/WH infrared motion sensor!

This luminaire mounted PIR sensor utilizes a good sensitivity detector and integrated circuit for energy-saving, safety and practical functionality. It utilizes infrared technology to detect movement of the human body and will switch on the load once someone enters the detection field. It has an inbuilt photocell to detect between day and nighttime operation.

### SPECIFICATION:

Power Source: 220-240V/AC	Detection Range: 360°
Power Frequency: 50/60Hz	Detection Range: 50%, 75%, 100% (selectable)
Daylight sensor: <3-2000LUX (adjustable)	Detection Distance: 10m max(<24°C)
Hold Time: Min.10sec±3sec	Working Temperature: -20~+40°C
Max.30min±2min	Working Humidity: <93%RH
Rated Load: Max.1200W	Installation Height: 2-6m
500W	Detection Moving Speed: 0.6-1.5m/s
Power Consumption: approx 0.5W	Automatic Lighting Range: 10LUX-300LUX
Stand-by Period: 5min, 10min, 15min, 30min	Stand-by Dimming Level: OFF, 10%, 20%, 30% (selectable)
60min, +∞(selectable)	

### FUNCTION:

- Can identify day and night: The installer can adjust the switching point at different ambient light levels, adjustable between 3LUX and 2000LUX.
- Time-Delay is extended continually: During periods of continued occupancy, the sensor will restart the time delay with each detection of movement.



Good sensitivity



Poor sensitivity

### INSTALLATION ADVICE:

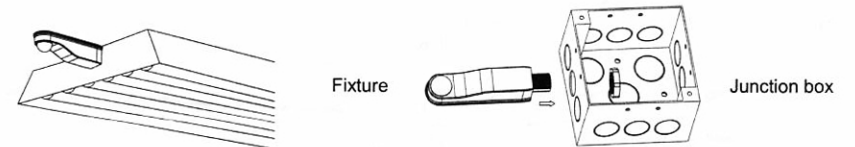
As the detector responds to changes in temperature, avoid the following situations:

- Avoid pointing the detector towards objects with highly reflective surfaces, such as mirrors etc.
- Avoid mounting the detector near heat sources, such as heating vents, air conditioning units, lights etc.
- Avoid pointing the detector towards objects that may move in the wind, such as curtains, tall plants etc.



INSTALLATION: (see the diagram)

- Switch off the power.
- Connect the power and the load to sensor as per the wiring diagram.
- Switch on the power and test the functionality.

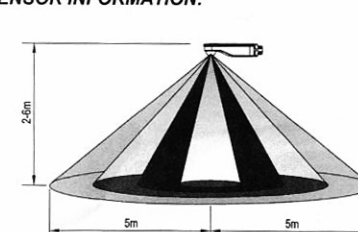


### Battery replacement

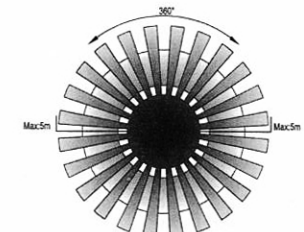
- Pull out the battery holder
- Put in a new battery (3V)



### SENSOR INFORMATION:

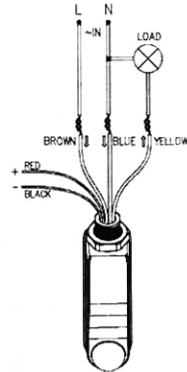


Height of installation: 2-6m



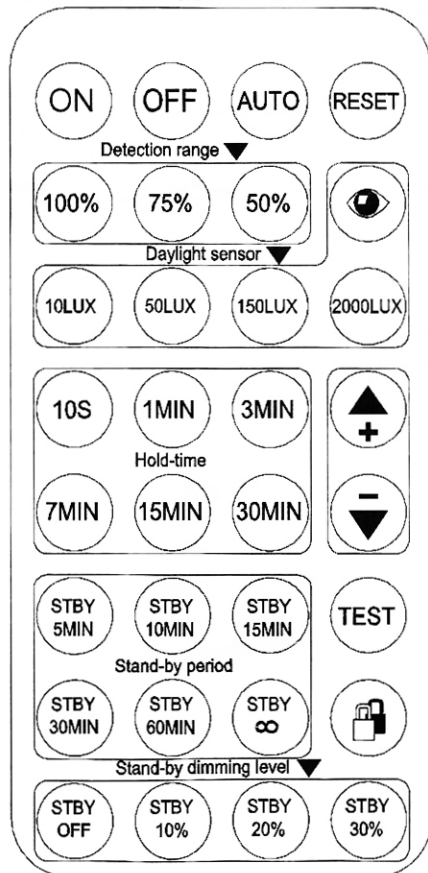
Detection Distance: Max.10m

**WIRING DIAGRAM** (See the right image)



It requires a remote control for setting all parameters! About the details kindly see in "IR REMOTE CONTROLLER" as below.

**IR REMOTE CONTROLLER**



- **ON** Load override ON (After 8hours, return to AUTO mode)
- **OFF** Load override OFF (After 8hours, return to AUTO mode)
- **AUTO** Set load to operate depending on motion
- **RESET** Sensor works according to dial setting
- Automatically detect the actual ambient light level and the sensor switches according to this LUX value stored, range 0-2000LUX
- Lock & unlock remote controller buttons
- **TEST** Test mode
- **100%** **75%** **50%** Adjust detection range
- **10LUX** **50LUX** **150LUX** **2000LUX** Adjust LUX value from 10-2000LUX
- **10S** **1MIN** **3MIN** **7MIN** **15MIN** **30MIN** Set on time
- **STBY 5MIN** **STBY 10MIN** **STBY 15MIN** **STBY 30MIN** **STBY 60MIN** **STBY ∞** **STBY OFF** Set hold time of load in dimming level
- **STBY 10%** **STBY 20%** **STBY 30%** Set load's dimming level or switch off load when there is no motion detection
- **+** **-** Manually dim level from 100% to 10%

**TROUBLESHOOTING:**

- The load does not switch on:
  - a. Please check if the wiring of power and load is correct.
  - b. Please check if the load is operational.
  - c. Please check if the light level is set to the correct level.
- The sensitivity is poor:
  - a. Please check if there has any hindrance in front of the detector which may affect the signal.
  - b. Please check if the ambient temperature is too high.
  - c. Please check if the movement is in the detection field.
  - d. Please check if the installation height corresponds to the height showed in the instruction.
  - e. Please check if the moving orientation is correct.
- The sensor does not turn off the load automatically:
  - a. Please check if there is continual movement in the detection field.
  - b. Please check if the time delay is set to the longest duration.
  - c. Please check if the wiring corresponds to the instruction.