

Safety Information

>All electrical work must be undertaken by a qualified contractor to ensure compliance with latest edition BS 7671 and IEE/IET wiring regulations.

>Before installing a Wallpack or doing any maintenance, ensure power supply is turned off at the circuit breaker or fuse box.

>This product is designed for permanent connection to fixed wiring; the circuit should be protected with the appropriate MCB or fuse.

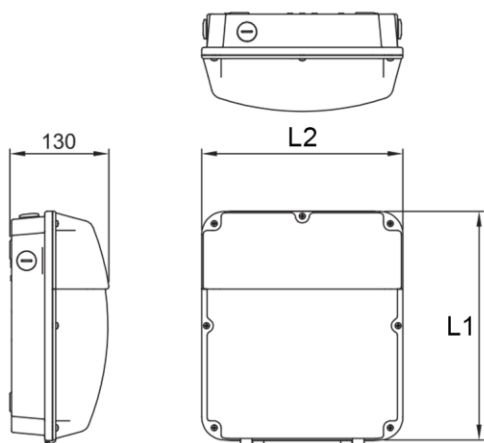
Environment

>Please DO NOT dispose of electrical items or packaging as unsorted waste, use the recycling facilities provided by your local authorities.

Non-replaceable light source

>The light source of this luminaire is not replaceable. When the light source reaches its end of life the whole luminaire shall be replaced.

PRODUCT DIMENSIONS



Size(mmxmm)	L1	L2
300x264x130	300	264

All units are in mm

Important Warranty Information

The Easton Wallpack has a 3 year warranty, which can be extended free of charge to 5 years by registering online via the website address below. The registrant must provide the product part number and date of manufacture, which can be found on the label attached to the luminaire housing.



NET LED Ltd.
Buckingway Business Park
300 Anderson Road
Cambridge
CB24 4UQ
sales@netled.co.uk
www.netled.co.uk

Technical Helpline: 01223 851505
Email: support@netled.co.uk

www.netled.co.uk/downloads

Distributed by



NET-51-11-41

KEY DATA

Light Source:	LED
Size (mm)	300 x 264 x 130mm
Power	40W
Luminous Flux	3000lm
Luminous Efficacy	65lm/W
Colour Temperature	3000K / 4000K / 5500K
Colour Rendering	>80 CRI
Housing Material	Aluminium
Diffuser	Polycarbonate
IP Rating	IP65
Manufacturer	Sealite



SUPPLY/EARTH CLASS

Driver
220-240V AC 50/60 Hz
Fig.1 Mains Input Termination

