

Safety Information

>All electrical work must be undertaken by a qualified contractor to ensure compliance with latest edition BS7671 and IEE/IET wiring regulations.

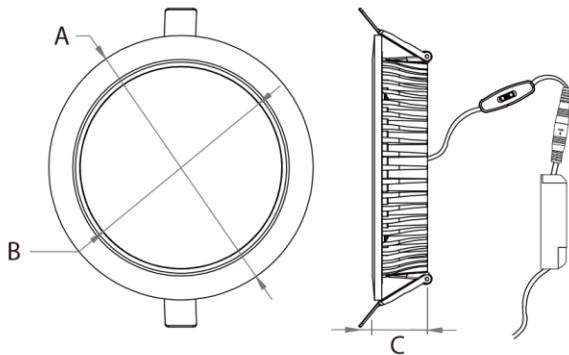
> Before installing the LED Tri-colour Downlight or doing any maintenance, ensure power supply is turned off at the circuit breaker or fuse box.

> This product is designed for permanent connection to fixed wiring; the circuit should be protected with the appropriate MCB or fuse.

Environment

>Please DO NOT dispose of electrical items or packaging as unsorted waste. Use the recycling facilities provided by your local authorities.

PRODUCT DIMENSIONS



Size(Inch)	A	B	C
3	110mm	90mm	45mm
4	140mm	120mm	45mm
6	190mm	165mm	45mm
8	228mm	200mm	45mm

Important Warranty Information

The LED Tri-colour Downlight has a 3 year warranty, which can be extended free of charge to 5 years by registering online via the website address below. The registrant must provide the product part number and date of manufacture, which can be found on the label attached to the luminaire housing.



Certificate No. FS 590684



Certificate No. EMS 590685

NET LED Lighting
Buckingway Business Park
300 Anderson Road
Cambridge
CB24 4UQ
sales@netled.co.uk
www.netled.co.uk

Technical Helpline: 01223 851505
Email: support@netled.co.uk

www.netled.co.uk/downloads

Distributed by

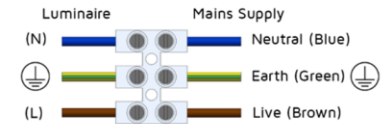


CAXTON LED DOWNLIGHT INSTALLATION GUIDE

Part Number	Description
NET-49-05-70	Standard 3"
NET-49-05-71	Emergency 3"
NET-49-05-72	Standard 4"
NET-49-05-77	Emergency 4"
NET-49-05-74	Standard 6"
NET-49-05-82	Emergency 6"
NET-49-05-84	Dimmable 6"
NET-49-05-86	Dimmable Emergency 6"
NET-49-05-76	Standard 8"
NET-49-05-87	Emergency 8"
NET-49-05-88	Dimmable 8"
NET-49-05-89	Dimmable Emergency 8"

SUPPLY/EARTH CLASS

Driver
220-240V AC 50/60 Hz
Fig.1 Mains Input Termination



Luminaire
36-42V DC
Fig2. Twist Lock Connectors



Installation procedure: Carefully read the instructions and ensure the mains supply is isolated before installation. Please follow the safety information overleaf before carrying out any installation. When installing, leave a space of at least 1.2m between the LED Downlight and any heating source/air conditioning unit. Please retain this leaflet for future reference.

LED Downlight Installation:

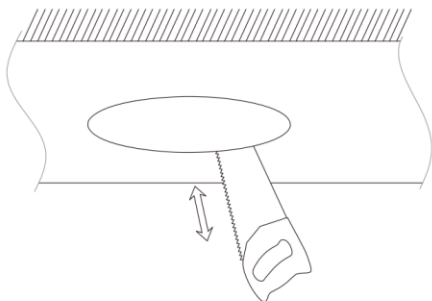


Replaceable light source by end-user



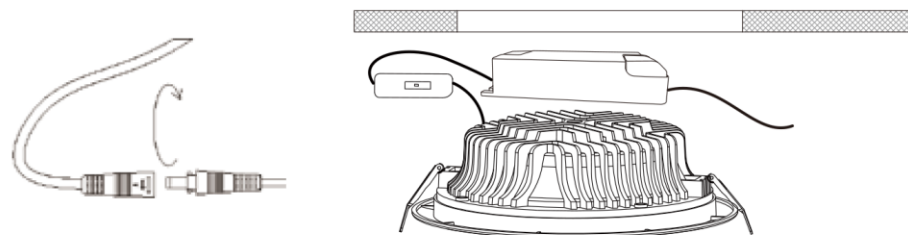
Replaceable control gear by professional

Step 1: Isolate mains power supply before starting any installation. Cut out a mounting hole in the ceiling as per dimensions in the table below.

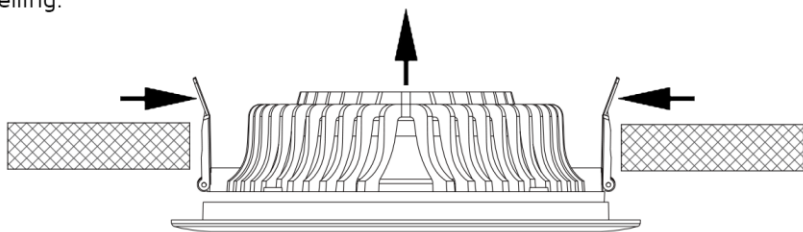


Downlight	Cut-out
3 inch	Ø90-100mm
4 inch	Ø120-130mm
6 inch	Ø165-175mm
8 inch	Ø200-210mm

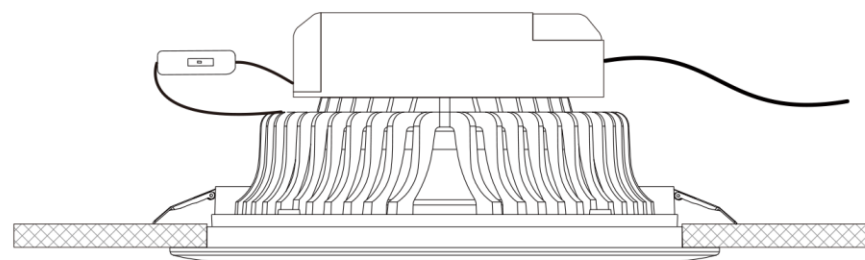
Step 2: Connect the Downlight and Driver using the inter-locking connectors. Select colour temperature on switch. Wire the LED driver to the mains supply junction box.



Step 3: Press clasping springs back and push downlight body into the aperture until it's fixed in the ceiling.



Step 4: Switch on the mains supply to test the Downlight for correct operation.



Optional additional products: A number of additional compatible products are available.

Other products from NET LED Lighting: Full range available at www.netled.co.uk.

3 Hour emergency Kits

LED Downlights are compatible with our 3 Hour Emergency Kits. Units maintain compatible Downlights

Emergency kits available for the 3", 4", 6" & 8" Downlights



Full specifications are available on request or at www.netled.co.uk

Dimming accessories

We can supply DALI and 1-10V dimming accessories.

Dimmable drivers available for the 6" & 8" Downlights.

Full specifications are available on request or at www.netled.co.uk



For wiring diagram, please view the QR code above.

Safety Information:

- The dimming cables should be run separately from the connections and mains cables to ensure good EMC conditions.

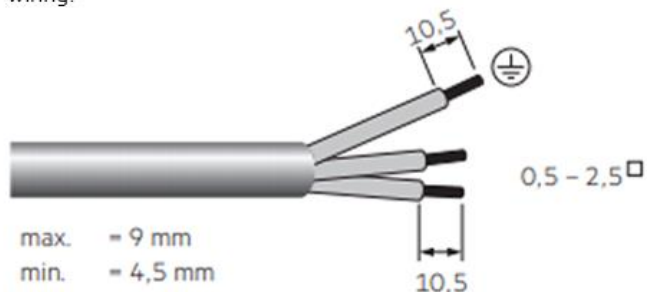
Wiring the plug-in terminal:

- Use solid wire or stranded wire with the correct cross-section
- Strip off correct length of insulation; you may need to twist the tool slightly
- If stranded wire is used: push onto the terminal from above to be able to insert the wire
- Insert the bare end into the terminal

Detaching the plug-in terminal:

- Push onto the terminal from above to release the wire
- Pull out the wire at the front

Mains supply wires
Stranded with or solid wire from
0.5 to 2.5mm² may be used for
wiring.



For more information regarding driver settings/options, please
access the QR code below:



Tridonic LCA PRE, LC EXC



Certificate No. FS 590684



Certificate No. EMS 590685

TRIDONIC

Dimming Driver Installation Guide

Distributed by
NET LED
LIGHTING



NET LED Lighting
Buckway Business Park
300 Anderson Road
Cambridge
CB24 4UQ
sales@netled.co.uk
www.netled.co.uk

Technical Helpline: 01223 851505
Email: support@netled.co.uk

www.netled.co.uk/downloads
PRD-40-10-81

Installation procedure: Carefully read the installation instructions and ensure the mains supply is isolated before installation. Please follow the safety information overleaf before carrying out any installation. Please retain this leaflet for future reference.

DALI

Description:

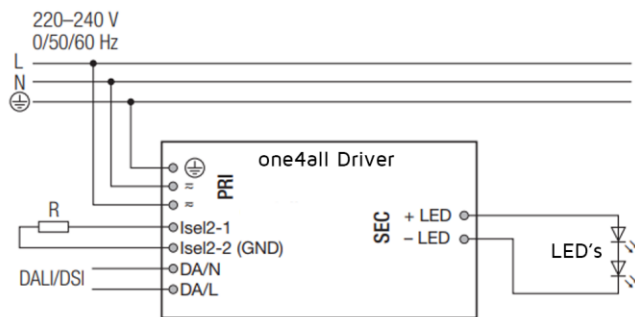
DALI (Digital Addressable Lighting Interface) is an interface protocol for digital communication between electronic lighting equipment.

DALI offers a lot of possibilities:

- DALI line: 64 LED Driver can be grouped to a line
- DALI groups: Every LED Driver can be attributed into 16 groups
- Addressability: All LED Driver are individually addressable
- Grouping: Possible without complicated rewiring
- Programmability: Individual programmability makes it possible to use functions which transcend the DALI standard
- Monitoring: Easily possible thanks to status feedback
- Wiring: Simple wiring with five pole standard cables and a cable length of max. 300 metres
- Wiring: Polarity-free control lines can be used for mains and control lines
- Wiring: Multiple wiring possibilities (star, series and mixed wiring)
- Unaffected by interruptions: All luminaires receive the same, unaffected digital signal and dimming level
- Similar light level from first to last luminaire.

Technical data of a DALI line:

- DALI voltage: 9.5V - 22.4V
- Maximum DALI system current: max. 250mA
- Data transfer rate: 1200 Baud
- Maximum line length: up to 300m (for 1.5mm²)



switchDIM/Push

Description:

With the switchDIM function it is possible to use the mains voltage as a control signal.

The phase of a standard mains voltage push button is connected to the terminal marked DA/L and the neutral conductor is connected to the terminal marked DA/N.

Using the function is easy and convenient:

- A short press (50-600 ms) switches the device on or off
- A long press (>600 ms) fades the connected operating device alternately up and down (between 1 and 100%)

The device has a switchDIM memory function. This is used, among other things, for storing the last dimming value in the event of interruptions in the power supply.

When power returns, the LED is automatically restored to its previous operating state and dimmed to the last value.

⚠ Caution!

Glow switches are not approved for controlling switchDIM. Glow switches may cause the LED Driver to spontaneously switch on or off or make sudden changes in the dimming value.

⚠ Caution!

A maximum number of 25 operating devices per switchDIM system should not be exceeded. If you have more devices please use DALI.

